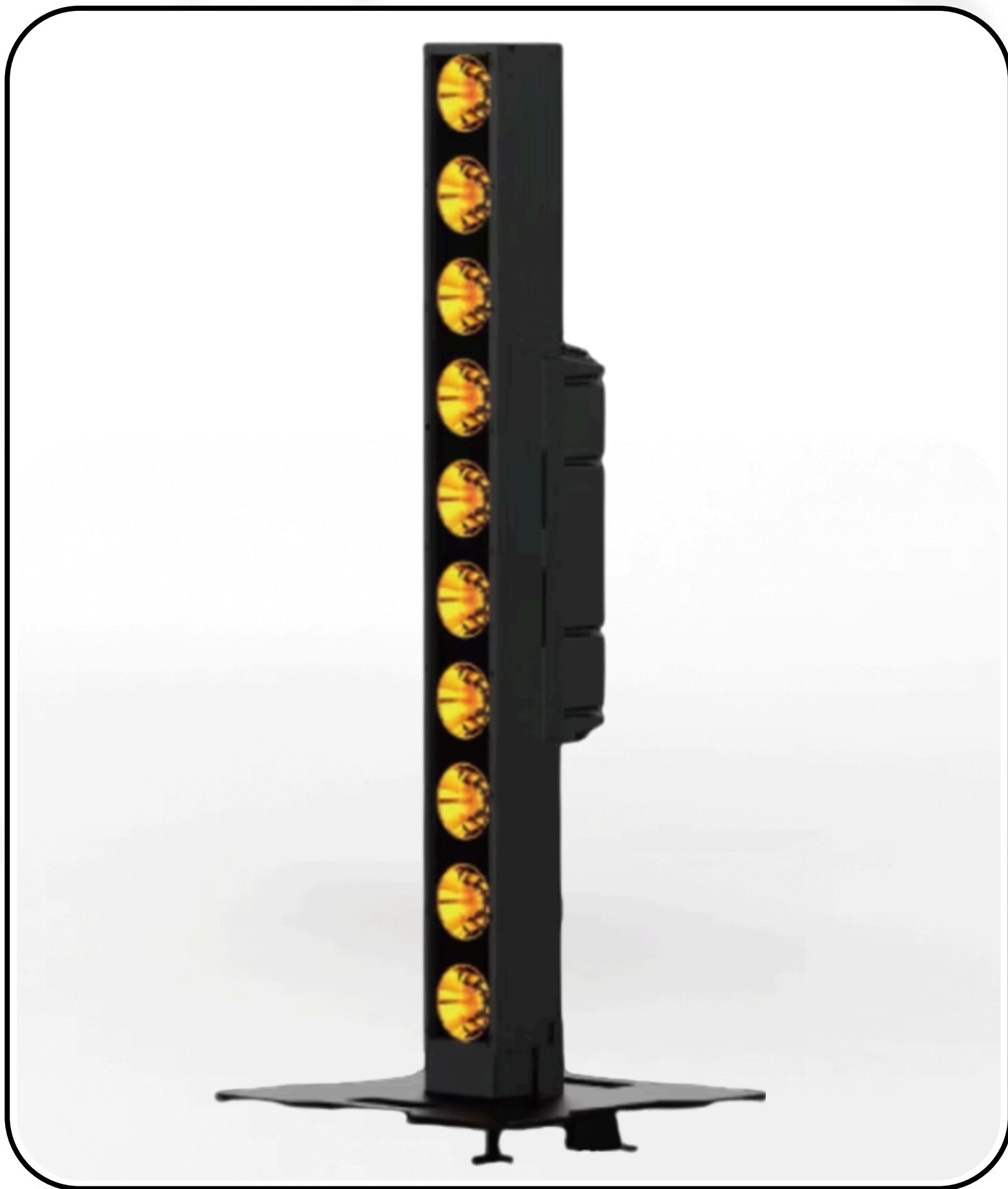


aurorä

PRO LINE 10



PRO-LINE 10 IP

    /illusioncad

DESIGNED FOR CANADA 

ILLUSION
UNIVERSE

 www.illusionuniverse.ca

1. SAFETY INSTRUCTIONS

IMPORTANT SAFETY WARNING

This device has left the factory in perfect condition. In order to maintain this condition and to ensure safe operation, it is absolutely necessary for the user to follow the safety instructions and warning notes written in this user manual.

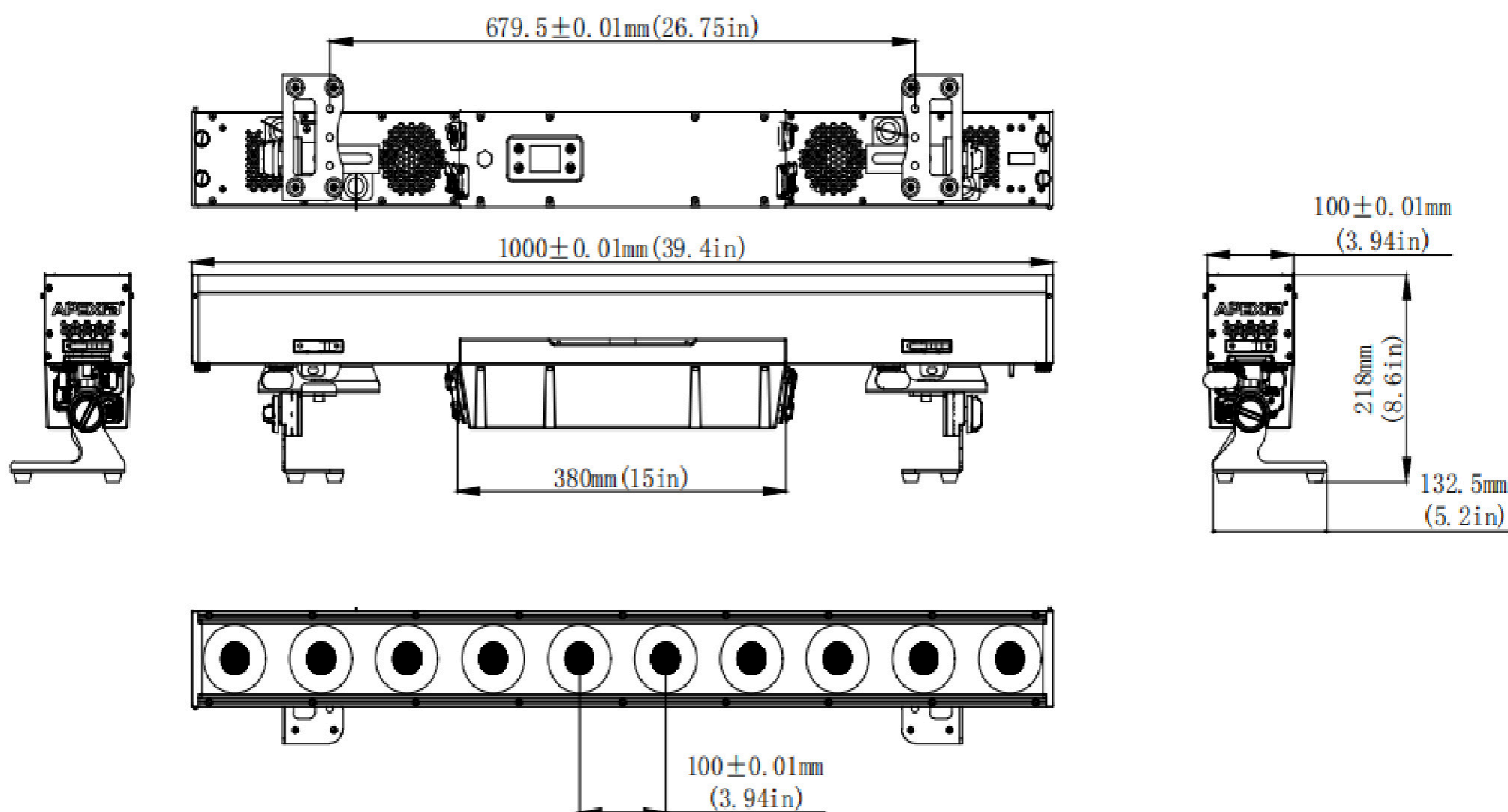
In order to install, operate, and maintain the lighting fixture safely and correctly we suggest that the installation and operation be carried out by qualified technicians and these instructions be carefully followed.

NEVER TOUCH THE DEVICE DURING OPERATION! COVERS MAY BE HOT

Important:

Damage caused by the disregard of this user manual is not subject to warranty. The dealer and manufacturer will not accept liability for any resulting defects or problems.

2. DIMENSION DRAWINGS



(unit : mm / in)

3. FIXTURE INSTALLATION

The fixture is IP65-rated and designed for both indoor and outdoor events. This means that it is protected from:

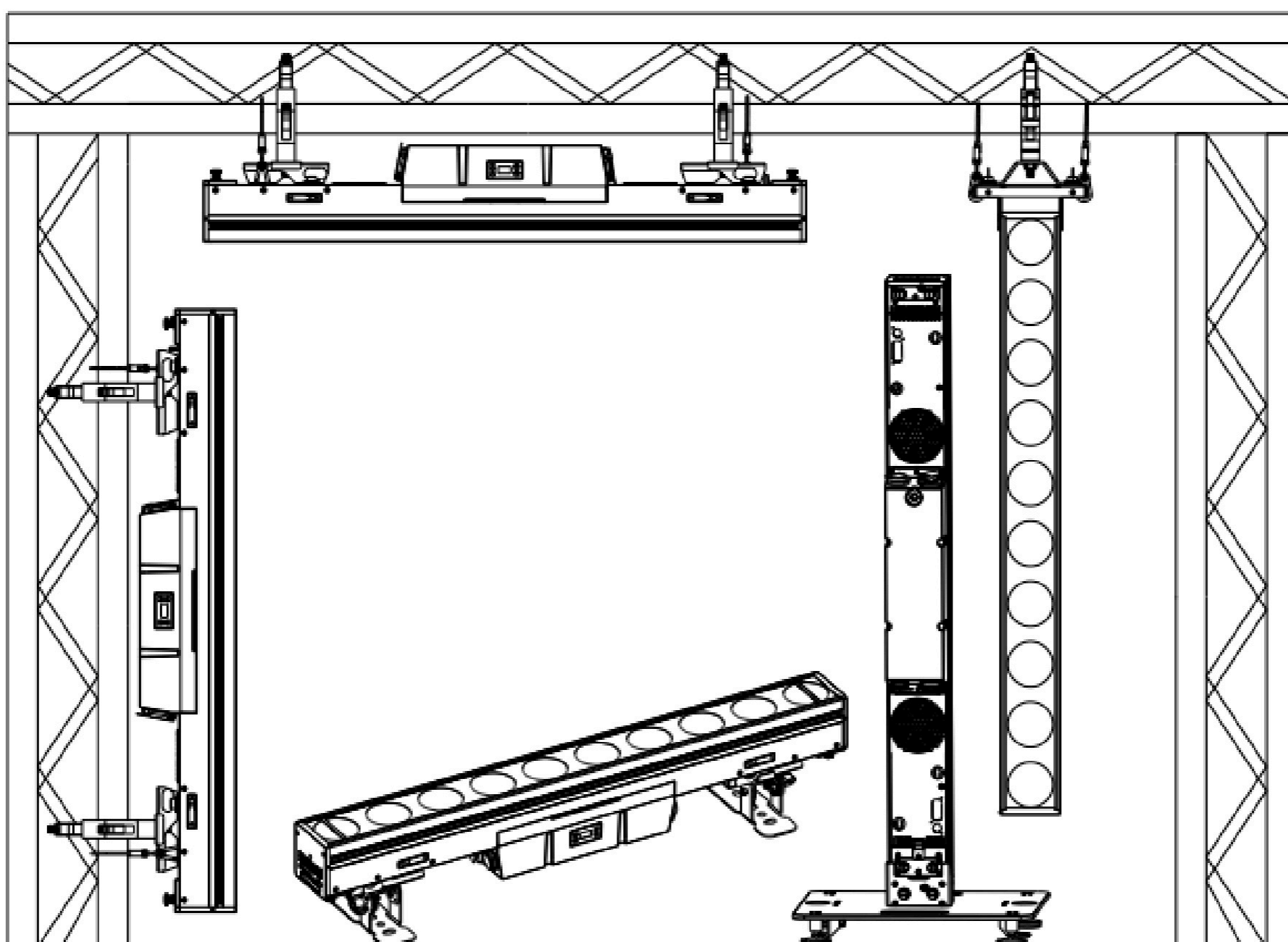
- ▷ Dust, to the degree that dust cannot enter the device in sufficient quantities as to interfere with its operation.
- ▷ Water jets from any direction.

DO install and operate by qualified operator. Fixture(s) should be installed in areas outside walking paths, seating areas, or away from areas where unauthorized personnel might reach the fixture by hand. NEVER stand directly below the fixture(s) when rigging, removing or servicing.

Always ensure that the unit is firmly fixed to avoid vibration and slipping off during operation.

Ensure that the trussing or area of installation must be able to hold 10 times the weight without any deformation. Always attach a safety cable that can hold at least 12 times the weight of the fixture whenever installing this fixture in a suspended environment to ensure that the fixture will not fall if the clamp fails.

This fixture is fully operational in three different mounting positions: hanging on trussing, mounted sideways on trussing, or standing on the floor. Always use and install a safety cable as a safety measure to prevent accidental damage and/or injury in the event the clamp fails.

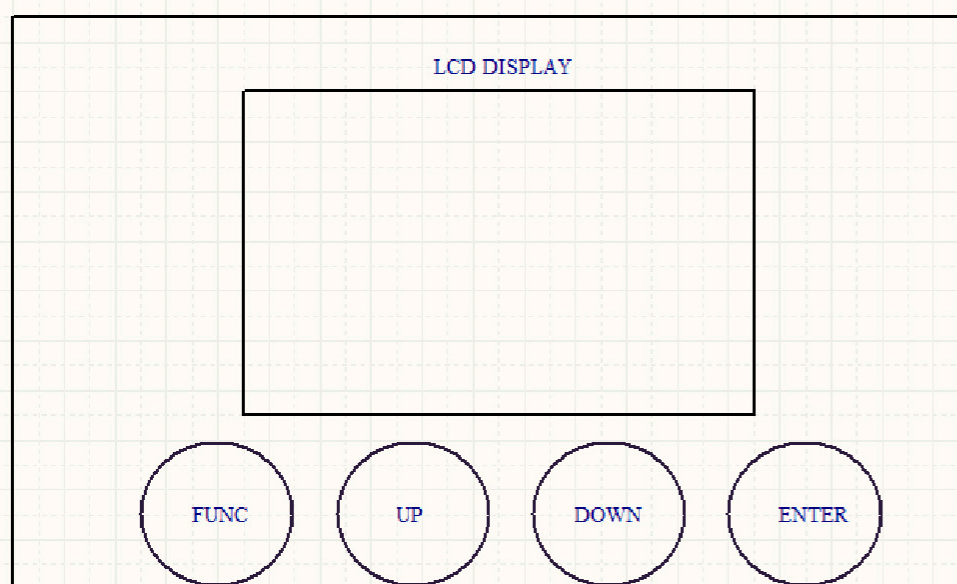


4. MAIN CONTROL MANU

MAIN	-----SET	-----1.DMX addre -----2.Run mode -----3.Auto set -----4.Channel mode -----5.Lcd protect -----6.No DMX signal -----7.Line dimmer -----8.Factory set
	-----MANL	-----Reference "MANUAL" list
	-----INFO	-----Display Vers -----PCB Vers -----Display temperature -----LED temperature -----Sensor statu -----Systems wrong cords
	-----CN/EN	
	-----SCREEN ROTATION	

5. DISPLAY BOARD

press "up down up down" to enter the HOME menu



FUNC: Menu

UP: Press UP button to select dmX address

DOWN: Press DOWN button to select dmX address

ENTER: Press ENTER to engage

6. DMX PROTOCOL

CHANNEL		VALUE	FUNCTION
14ch	55ch		
1	1	000-029	SPECIAL FUNCTION (To activate following functions, stop in DMX value for at least 3 seconds.) Null
		030-039	Dimmer Curve: Linear
		040-049	Dimmer Curve: Square Law
		050-059	Dimmer Curve: Inv SQ Law
		060-069	Dimmer Curve: S Curve
		070-099	Null
		100-109	Led Frequency Setting Enable
		110-119	Led Frequency Setting Disable
		120-122	Null
		123	900Hz
		124	1000Hz
		125	1100Hz
		126	1200Hz
		127	1300Hz
		128	1400Hz
		129	1500Hz
		130	2500Hz
		131	4000Hz
		132	5000Hz
		133	6000Hz
134	10KHz		
135	15KHz		
136	20KHz		
137	25KHz		
138-139	Null		
140-179	Null		
180-189	Dimmer Speed: Fast		
190-199	Dimmer Speed: Smooth		
200-209	Dimmer Speed: Tungsten		
		210-219	Invert Pixel: No
		220-229	Invert Pixel: Yes
		230	Dimming Start Mode: High
		231	Dimming Start Mode: Low
		232-255	Null
2	2	000-042	FROST Null
		043-085	Frost 1
		086-127	Frost 2
		128-255	0%→100%
3	3	000-007	STROBE Close
		008-015	Open
		016-131	Strobe from Slow to Fast
		132-139	Open
		140-181	Fast Open Slow Close from Slow to Fast
		182-189	Open
		190-231	Slow Open Fast Close from Slow to Fast
		232-239	Open
		240-247	Random Strobe from Slow to Fast
		248-255	Open

		037-040 041-045	7200K 7100K
4	4	000-255	DIMMER 0%→100%
5	5	000-255	DIMMER FINE
6		000-255	WHITE 0%→100%
7		000-255	RED 0%→100%
8		000-255	GREEN 0%→100%
9		000-255	BLUE 0%→100%
10		000-255	AMBER 0%→100%
11		000 001-004 005-009 010-013 014-018 019-022 023-027 028-031 032-036 037-040 041-045	CCT Null 8000K 7900K 7800K 7700K 7600K 7500K 7400K 7300K 7200K 7100K
		046-049 050-054 055-058 059-063 064-067 068-072 073-076 077-081 082-085 086-090 091-094 095-099 100-103 104-108 109-112 113-117 118-121 122-126 127-130 131-135 136-139	7000K 6900K 6800K 6700K 6600K 6500K 6400K 6300K 6200K 6100K 6000K 5900K 5800K 5700K 5600K 5500K 5400K 5300K 5200K 5100K 5000K

		248-255	2500K
12			COLOR MACRO
		140-144	4900K
		145-148	4800K
		149-153	4700K
		154-157	4600K
		158-162	4500K
		163-166	4400K
		167-171	4300K
		172-175	4200K
		176-180	4100K
		181-184	4000K
		185-189	3900K
		190-193	3800K
		194-198	3700K
		199-202	3600K
		203-207	3500K
		208-211	3400K
		212-216	3300K
		217-220	3200K
		221-225	3100K
		226-229	3000K
		230-234	2900K
		235-238	2800K
		239-243	2700K
		244-247	2600K
		248-255	2500K
12			COLOR MACRO
		000-009	Null
		010-016	LEE 790 - Moroccan Pink
		017-023	LEE 157 - Pink
		024-030	LEE 332 - Special Rose Pink
		031-037	LEE 328 - Follies Pink
		038-044	LEE 345 - Fuchsia Pink
		045-051	LEE 194 - Surprise Pink
		052-058	LEE 181 - Congo Blue
		059-065	LEE 071 - Tokyo Blue
		066-072	LEE 120 - Deep Blue
		073-079	LEE 079 - Just Blue
		080-086	LEE 132 - Medium Blue
		087-093	LEE 200 - Double CT Blue
		094-100	LEE 161 - State Blue
		101-107	LEE 201 - Full CT Blue
		108-114	LEE 202 - Half CT Blue
		115-121	LEE 117 - Steel Blue
		122-128	LEE 353 - Lighter Blue
		129-135	LEE 118 - Light Blue
		136-142	LEE 116 - Medium Blue Green
		143-149	LEE 124 - Dark Green
		150-156	LEE 139 - Primary Green
		157-163	LEE 089 - Moss Green
		164-170	LEE 122 - Fern Green
		171-177	LEE 738 - JAS Green
		178-184	LEE 088 - Lime Green
		185-191	LEE 100 - Spring Yellow
		192-198	LEE 104 - Deep Amber
		199-205	LEE 179 - Chrome Orange
		206-212	LEE 105 - Orange
		213-219	LEE 021 - Gold Amber

		220-226 227-233 234-255	LEE 778 - Millennium Gold LEE 135 - Deep Gold Amber LEE 164 - Flame Red
13		000-015 016-031 032-047 048-063 064-079 080-095 096-111 112-127 128-143 144-159 160-175 176-191	MACRO EFFECT SELECT Null Built-in Effect 1 Built-in Effect 2 Built-in Effect 3 Built-in Effect 4 Built-in Effect 5 Built-in Effect 6 Built-in Effect 7 Built-in Effect 8 Built-in Effect 9 Built-in Effect 10 Built-in Effect 11
		192-207 208-223 224-239 240-255	Built-in Effect 12 Built-in Effect 13 Built-in Effect 14 Built-in Effect 15
	14	000 001-127 128-255	MACRO EFFECT SPEED Null Slow to Fast without Fade Slow to Fast with Fade
	6	000-255	WHITE 1 0%→100%
7	000-255	RED 1 0%→100%	
8	000-255	GREEN 1 0%→100%	
9	000-255	BLUE 1 0%→100%	
10	000-255	AMBER 1 0%→100%	
11	000-255	WHITE 2 0%→100%	
12	000-255	RED 2 0%→100%	
13	000-255	GREEN 2 0%→100%	
14	000-255	BLUE 2 0%→100%	
15	000-255	AMBER 2 0%→100%	
16	000-255	WHITE 3 0%→100%	
17	000-255	RED 3 0%→100%	
18	000-255	GREEN 3 0%→100%	
19	000-255	BLUE 3 0%→100%	
20	000-255	AMBER 3 0%→100%	

	21	000-255	WHITE 4 0%→100%
	22	000-255	RED 4 0%→100%
	23	000-255	GREEN 4 0%→100%
	24	000-255	BLUE 4 0%→100%
	25	000-255	AMBER 4 0%→100%
	26	000-255	WHITE 5 0%→100%
	27	000-255	RED 5 0%→100%
	28	000-255	GREEN 5 0%→100%
	29	000-255	BLUE 5 0%→100%
	30	000-255	AMBER 5 0%→100%
	31	000-255	WHITE 6 0%→100%
	32	000-255	RED 6 0%→100%
	33	000-255	GREEN 6 0%→100%
	34	000-255	BLUE 6 0%→100%
	35	000-255	AMBER 6 0%→100%
	36	000-255	WHITE 7 0%→100%
	37	000-255	RED 7 0%→100%
	38	000-255	GREEN 7 0%→100%
	39	000-255	BLUE 7 0%→100%
	40	000-255	AMBER 7 0%→100%
	41	000-255	WHITE 8 0%→100%
	42	000-255	RED 8 0%→100%
	43	000-255	GREEN 8 0%→100%
	44	000-255	BLUE 8 0%→100%
	45	000-255	AMBER 8 0%→100%

	46	000-255	WHITE 9 0%→100%
	47	000-255	RED 9 0%→100%
	48	000-255	GREEN 9 0%→100%
	49	000-255	BLUE 9 0%→100%
	50	000-255	AMBER 9 0%→100%
	51	000-255	WHITE 10 0%→100%
	52	000-255	RED 10 0%→100%
	53	000-255	GREEN 10 0%→100%
	54	000-255	BLUE 10 0%→100%
	55	000-255	AMBER 10 0%→100%

7. TROUBLESHOOTING

Problem	Potential cause(s)	Remedies
Fixture does not respond or appears to be off.	No power to the fixture.	Confirm that the power is switched on and cables are plugged in.
	No output from PSU.	Replace the PSU.
Fixture suddenly turned off.	Power was turned off.	Check the power supply, switches and breakers.
Light output cuts out intermittently.	Fixture is too hot.	Check fixture's stored error messages for more information. Allow fixture to cool. Clean fixture. Reduce ambient temperature.
Fixture suddenly stopped responding.	DMX cables were disconnected.	Inspect DMX cables.
Fixture operates irregularly / abnormal.	Incorrect DMX address or DMX mode.	Inspect and enter the correct DMX address or mode.
	DMX link is not terminated.	Install a XLR 120ohm DMX termination at the end of the DMX link.
	Bad data link.	Replace or repair defective cables and/or connections.
	One of the fixtures is defective and is disturbing data transmission on the link.	Track and isolate the corrupted fixture. Have the fixture serviced by a qualified technician.

8. CLEANING AND MAINTENANCE

Installation Maintenance: The operator has to make sure that the unit is operating safely and has the installations and electronics checked by an expert every 2 years.

The following points have to be considered during the inspection:

All screws used for installing the device or part of the device have to be tightly connected and must not be corroded.

There must not be any deformations on the housing, fixation and installation spots (ceiling, suspension, trussing).

The electronic power supply cables must not show any damages, material fatigue (e.g. porous cables) or sediments. Further instructions depending on the installation spot and usage have to be adhered by a skilled installer and any safety problems have to be removed.

Note: There is no serviceable parts inside the device. Maintenance and service operations are to be carried out by au-thorized dealers.

Replacing the fuse: When possible only replace the fuse with the same type and rating.

Replacing the power cable: If the power cable of this device becomes damaged, it has to be replaced by authorized dealers or trained professional only.

Cleaning: Only clean the fixture using a damp cloth.

Should you have further questions , please contact your dealer.



Contact Us



SALES@ILLUSIONUNIVERSE.CA



UNIT 11, 10 FALCONER DRIVE,
MISSISSAUGA , ONTARIO, CANADA



WWW.ILLUSIONUNIVERSE.CA