

**HYDREX**  
APEX 830 BSWF



**HYDREX APEX 830 BSWF**

    /illusioncad

DESIGNED FOR CANADA 

**ILLUSION**  
UNIVERSE

 [www.illusionuniverse.ca](http://www.illusionuniverse.ca)



Hydrex Apex 830 BSWF It's a true all-in-one fixture, seamlessly transition from a sharp 4° beam for piercing effects to a wide 45° wash for perfect stage coverage. Framing with 4 framing shutters ( $\pm 120^\circ$ ), CMY+CTO full color mixing, prisms, frost filters, and a dedicated animation wheel for dynamic effects. Features professional continuous pan and tilt rotation, packing this full feature set into a 29kg body, and includes a built-in folding hook for fast, safe installation.

---

# Technical Specification

## Source

Light Source: 680W white LED Module, high brightness and high CRI optional  
CRI: High brightness  $Ra \geq 70$ , High CRI:  $Ra \geq 95$   
Average Lifespan: 20,000 hours(Source manufacturer specification)

## Electrical specification and connections

Voltage: AC100~240V/50~60Hz  
Power: 830W  
Waterproof Power connection  
DMX: XLR-3/ XLR-5(Optional)

## Optic System

180mm diameter lens

## Effects and Features

Beam Angle:  $4^{\circ}$ - $45^{\circ}$   
Dimming: 0-100% linear dimming  
Strobe: 0-25Hz, with multiple built-in strobe modes and adjustable speed.  
Prisms: 1 x 4-facet circular prism, rotating in both directions  
Frost: 1 combinable light frost filter and 1 combinable heavy frost filter  
Framing module(4 shutter blades) with individual control, and the complete framing system with  $\pm 120^{\circ}$  rotation

## Color system

CMY linear adjustment, CTO color temperature linear adjustment.  
1 color wheel: 7 colors +open, with bidirectional rotating rainbow effect.

## Rotating gobos

1 rotating gobo wheel: 7 gobos + open, with rotating,shaking, and water wave effects

## Prism

1 x 4-facet circular prism, rotating in both directions

## Frost Filter

1 combinable light frost filter and 1 combinable heavy frost filter

---

### Framing System

(4 shutter blades) with individual control, and the complete framing system with  $\pm 120^\circ$  rotation

### Animation Wheel

1 Animation wheel: with continuous rotation in both directions, interchangeable water wave and fire effect

### Control and programming

4 touch button control

LCD display

Control Protocols: DMX512, RDM

DMX Channels : 32CH/37CH

### Movement

Pan:  $540^\circ$  (16-bit control), with Infinite rotation

Tilt:  $270^\circ$  (16-bit control), with Infinite rotation

Automatic X/Y position correction

### Cooling system

Heat Pipe cooling system + Silent fan cooling

### Work Environment

Maximum ambient temperature:  $45^\circ\text{C}$

Minimum operating temperature:  $-25^\circ\text{C}$

Maximum surface temperature:  $70^\circ\text{C}$

### Mechanical specification

Fixture size:  $409\text{mm} \times 280\text{mm} \times 716.5\text{mm}$

Weight: 29KG

### Package specification

Carton size:  $490\text{mm} \times 360\text{mm} \times 790\text{mm}$

Gross weight with carton: 35 KG

Flycase size:  $575\text{mm} \times 555\text{mm} \times 825\text{mm}$  (1pc/case) ;  $950\text{mm} \times 570\text{mm} \times 820\text{mm}$  (2in1 case)

Gross weight with flycase: 60KG (1pc/case) ; 102KG (2in1 case)

### Ingress protection rating

IP66

### Installation

Horizontal or vertical mounting  
Universal working position  
2 omega brackets  
Safety cable attachment point

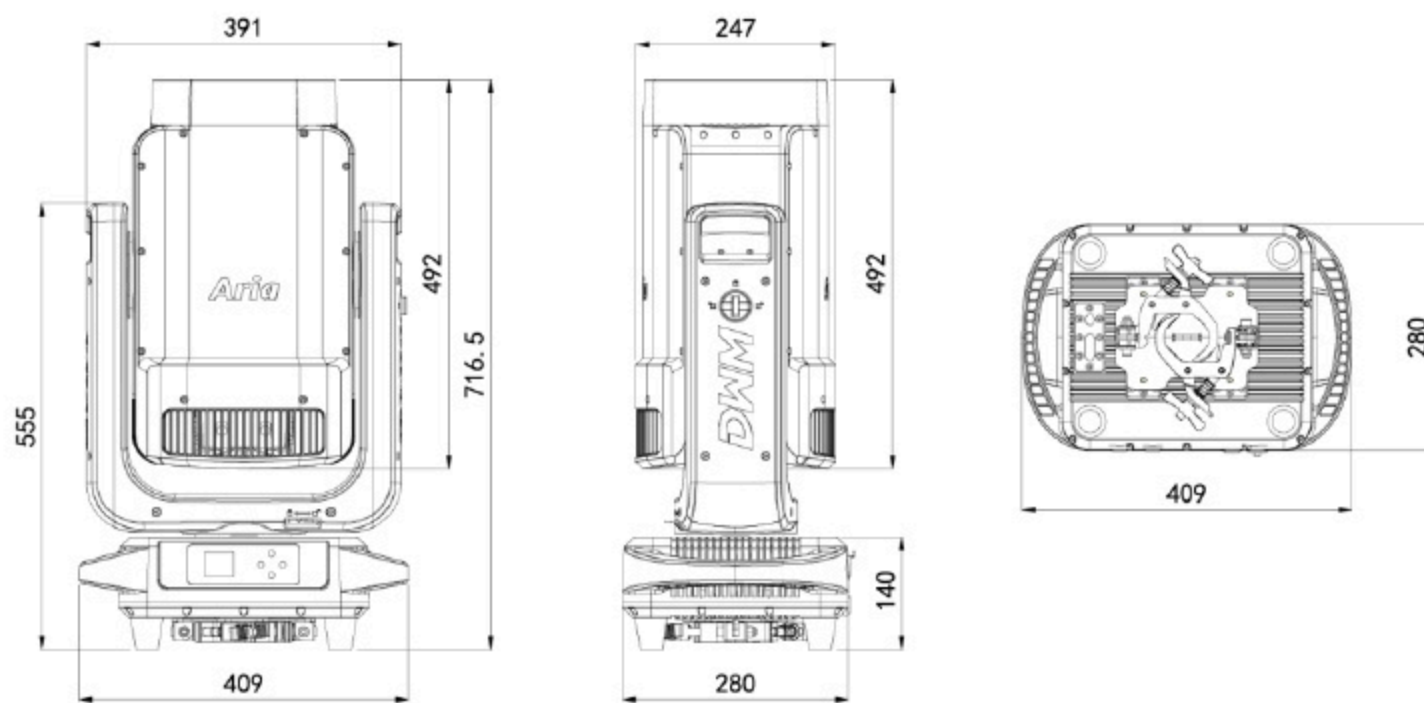
### Included items

User manual  
Power cable  
Dmx cable  
2 omega brackets  
Safety Cable

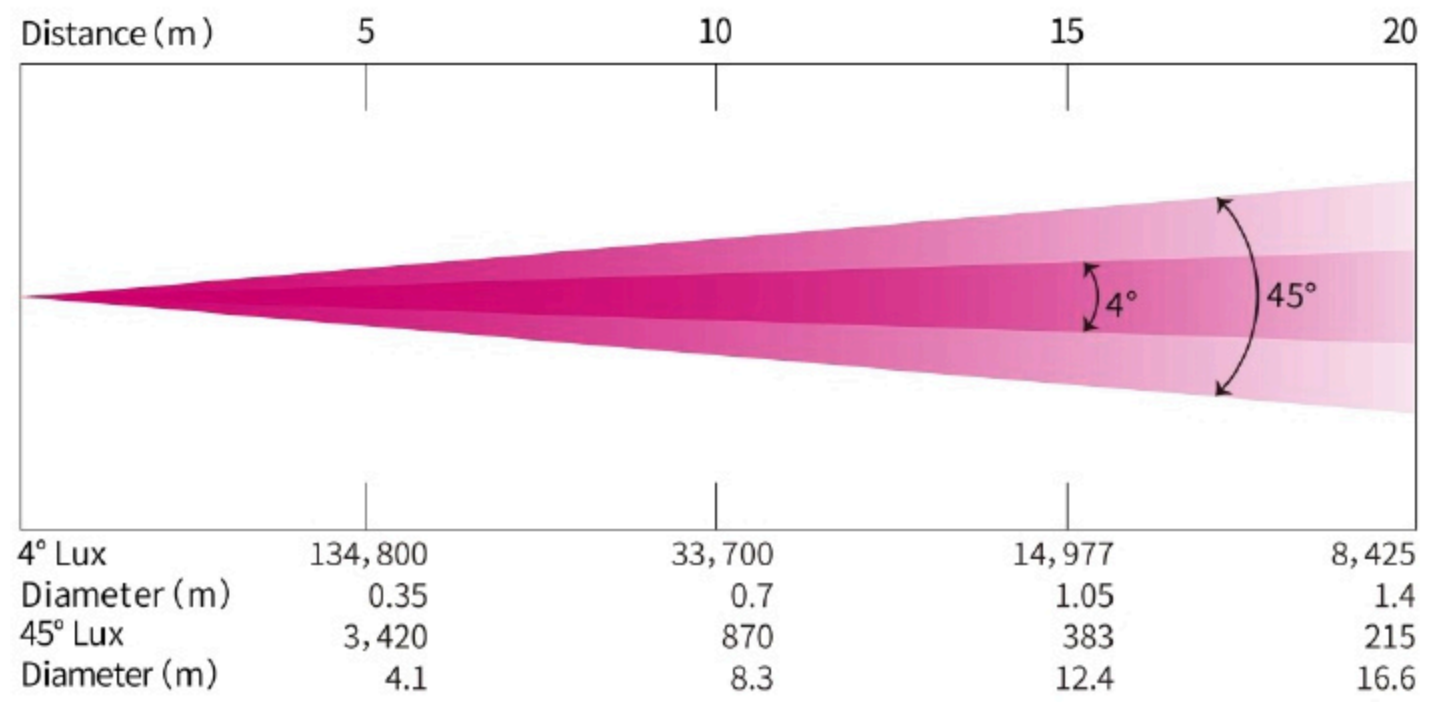
### Optional accessories

Fly Case

## Dimensions



# Photometric





# Contact Us

---



SALES@ILLUSIONUNIVERSE.CA



UNIT 11, 10 FALCONER DRIVE,  
MISSISSAUGA , ONTARIO, CANADA



WWW.ILLUSIONUNIVERSE.CA