

**HYDREX**  
*LIDAR 300*



**HYDREX LIDAR 300**

    /illusioncad

DESIGNED FOR CANADA 

**IIUSION**  
UNIVERSE

 [www.illusionuniverse.ca](http://www.illusionuniverse.ca)



Aria LA300 It's not just a beam light—it's a high-end hybrid fixture combining a powerful 260W laser engine with a top-tier pattern and effects system .Go from an 0.6° laser beam to a wide 23° wash, plus everything in between, most competitors only offer a beam function. Features continuous pan and tilt rotation, Smooth, Unlimited Control . it's lightweight at only 29kg with such powerful functions

# Technical Specification

## Source

Light Source: 260W laser Module

Average Lifespan: 20,000 hours(Source manufacturer specification)

## Electrical specification and connections

Voltage: AC100~240V/50~60Hz

Power: 347W

Waterproof Power connection

DMX: XLR-3/ XLR-5(Optional)

## Optical system

180mm diameter lens

## Effects and Features

Beam Angle: 0.6°-23°

Dimming: 0-100% linear dimming

Strobe: 0-25Hz, with multiple built-in strobe modes and adjustable speed.

Prisms:2X4 prisms, 8 kinds prism effects,combinable and rotating in both directions

Frost: 1 combinable light frost filter and 1 combinable heavy frost filter

## Color system

CMY linear adjustment, CTO color temperature linear adjustment.

1 color wheel: 19 colors +open, with bidirectional rotating rainbow effect.

## Static gobos

1 static gobo wheel:35 gobos + open, with shaking, forward and reverse scrolling, and positioning function.

## Rotating gobos

1 rotating gobo wheel: 12 gobos + open, with rotating,shaking, and water wave effects

## Prism

2X4 prisms, 8 kinds prism effects,combinable and rotating in both directions

## Frost Filter

1 combinable light frost filter and 1 combinable heavy frost filter

#### Control and programming

4 touch button control

LCD display

Control Protocols: DMX512,RDM

DMX Channels : 22CH/27CH

#### Movement

Pan: 540°(16-bit control), Infinite rotation

Tilt: 270°(16-bit control),Infinite rotation

Automatic X/Y position correction

#### Cooling system

Heat Pipe cooling system + Silent fan cooling

#### Noise Level

Noise Level: 32dB

#### Work Environment

Maximum ambient temperature: 45°C

Minimum operating temperature: -25°C

Maximum surface temperature: 70°C

#### Mechanical specification

409mm\*280mm\*708mm (with clamp)

Weight: 29KG

#### Package specification

Carton size: 490mm\*360mm\*790mm

Gross weight with carton: 33 KG

Flycase size: 575mm\*555mm\*825mm (1pc/case); 950mm\*570mm\*820mm (2in1 case)

Gross weight with flycase: 60KG (1pc/case); 102KG (2in1 case)

#### Ingress protection rating

IP66

#### Approvals

CE & RoHS

### Installation

Horizontal or vertical mounting  
Universal working position  
2 omega brackets  
Safety cable attachment point

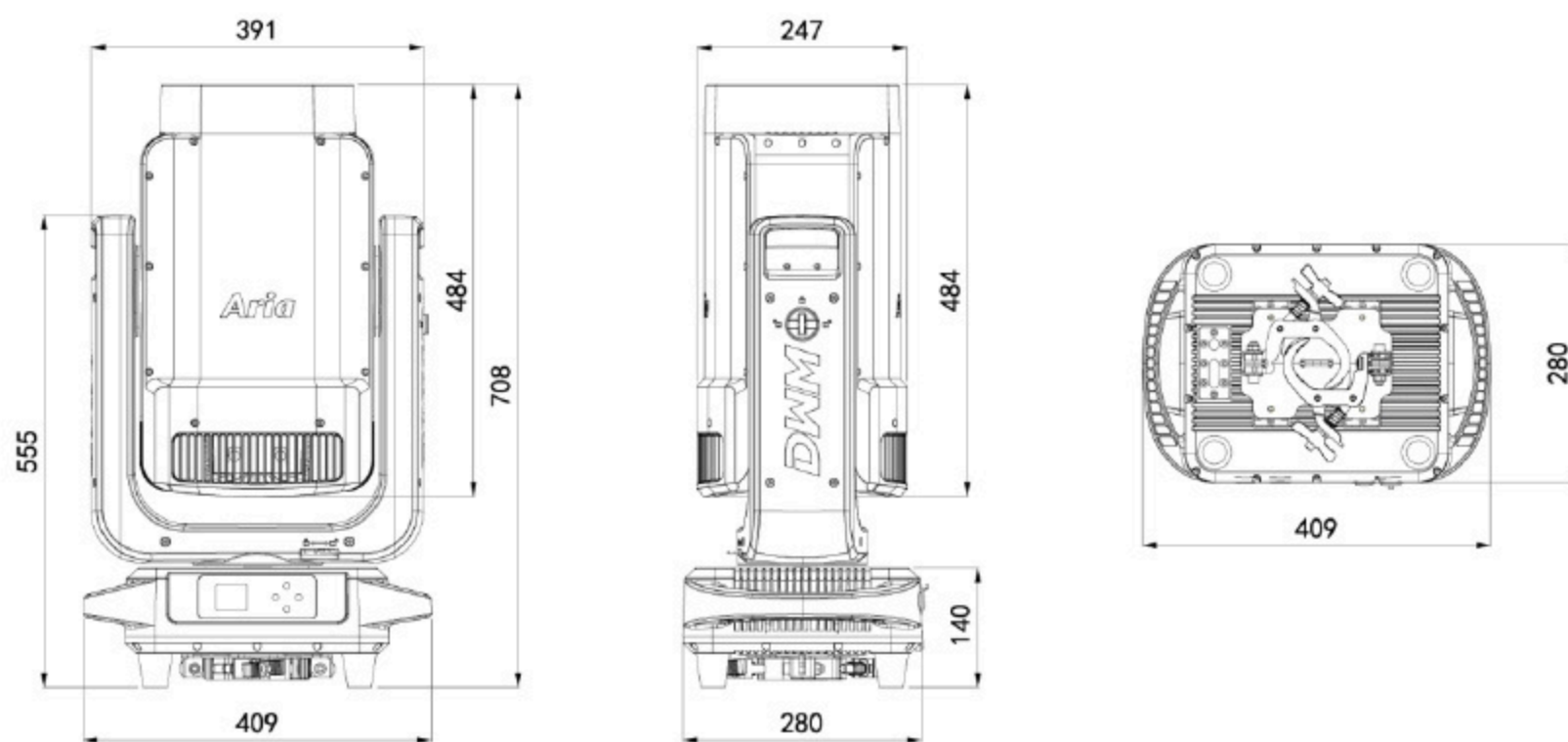
### Included items

User manual  
Power cable  
Dmx cable  
2 omega brackets  
Safety Cable

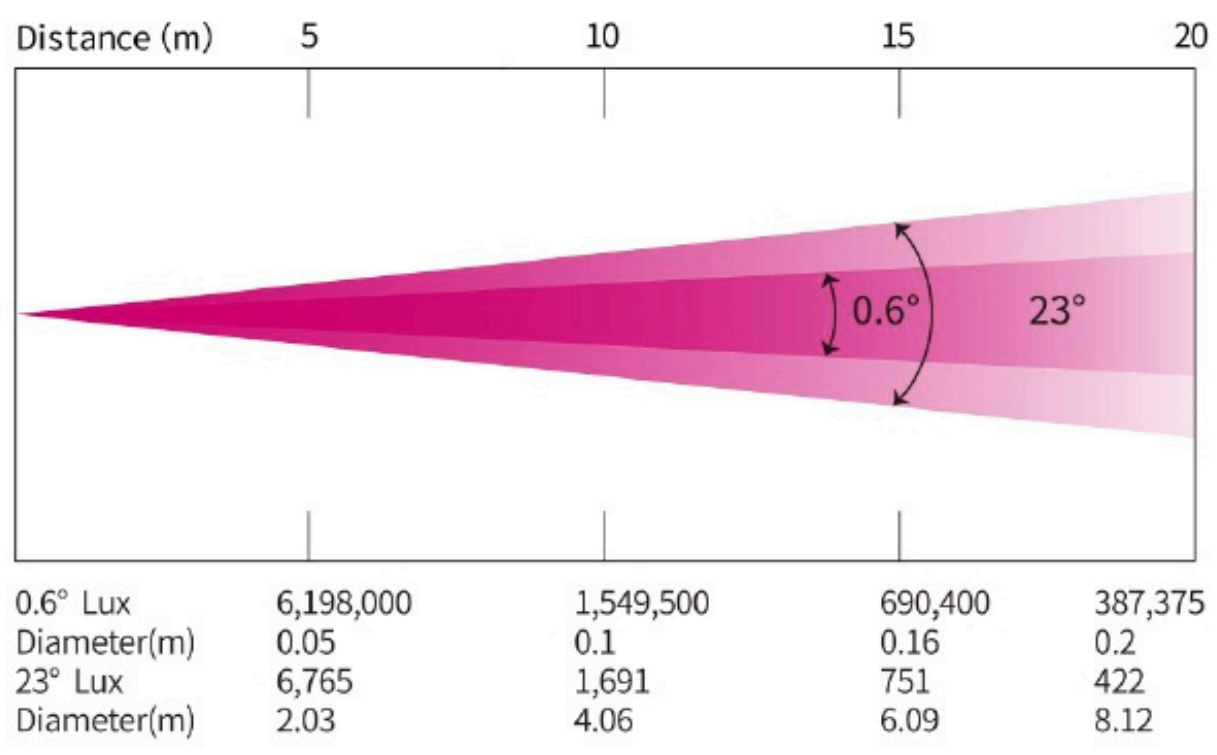
### Optional accessories

Fly Case

## Dimensions



# Photometric





# Contact Us

---



SALES@ILLUSIONUNIVERSE.CA



UNIT 11, 10 FALCONER DRIVE,  
MISSISSAUGA , ONTARIO, CANADA



WWW.ILLUSIONUNIVERSE.CA