

**HYDREX**  
*LIDAR 300*



**HYDREX LIDAR 300**

    /illusioncad

DESIGNED FOR CANADA 

**ILLUSION**  
UNIVERSE

 [www.illusionuniverse.ca](http://www.illusionuniverse.ca)

# Contents

Safety Instructions .....	1-2
Packaging and transportation .....	3
Display and control .....	4
Technical Parameters .....	5
Color Wheel, gobo Wheel, Effect Wheel .....	6
Color Wheel .....	6
Gobo Wheel .....	6
Effect Wheel .....	7
Dimensions .....	8
Lumen data .....	9
DMX Channel .....	10
27 Channels .....	10-14
22 Channels .....	15-19
Installation and Connection .....	20
Installation Precautions .....	20
DMX Connection .....	21
Power Connection .....	22
Power Connection Precautions .....	22
Inspection and Cleaning .....	23

# 1. Safety Instructions



警告

Personnel involved in the installation and maintenance of this equipment must be installed by qualified professionals.

The lamps have been strictly inspected and qualified before leaving the factory. Please operate according to the instructions. Machine failures caused by human factors are covered by the warranty.

The manufacturer will not be responsible for any accidents and losses caused by any failure to operate normally according to this manual and unauthorized changes to the equipment without permission.

Before using the lamp, please make sure to check it carefully to confirm that it has not been damaged during transportation.

The installation and operation of the lamp should be carried out by people with professional knowledge.

A reliable safety rope should be used to fix the lamp, and the lamp should be lifted from the bottom when it is carried.

The installation location of the lamp should ensure good ventilation conditions and keep at least 50 cm away from adjacent surfaces.

Do not look directly at the light source to avoid damage to the eyes

Ensure that the ventilation holes of the lamp are unobstructed to prevent problems caused by overheating.

The lamp should be kept clean and should be maintained every three months.

This lamp is for professional use only and is not suitable for other purposes.

Before starting, please verify that the power supply voltage is consistent with the voltage required by the lamp, and ensure that the voltage used is within the voltage range indicated in the technical parameters.

Before using 110V~220V AC, check to ensure that the grounding wire of the power switch socket is good to prevent electric shock accidents.

The maximum number of lamps that can be interconnected is 4.

The lamp should not be operated in an environment below -10 degrees Celsius or above 40 degrees Celsius.

Never connect the lamp directly to the dimming device.

The minimum safe distance from the illuminated object: 25m.

The minimum safe distance from combustibles: 0.7m.

When hanging lamps, it is necessary to verify that the facilities and lamp hooks can withstand at least 10 times the weight of the lamp.

When operating the lamp, do not place flammable items near it to prevent fire.

Before turning on the lamp, please carefully check whether the power cord is intact. If it is damaged, it should be replaced in time.

The surface temperature of the lamp may reach up to 75 degrees Celsius when it is running. Avoid direct contact.

Prevent flammable liquids, water or metal objects from entering the lamp. If this happens, the power supply should be cut off immediately.

Avoid using lamps in dusty environments and clean and maintain them regularly.

Do not touch the power cord during the operation of the lamp to prevent electric shock.

Try to avoid tangling the power cord with other lines.

Do not turn the lamp on and off frequently.

Please read this manual carefully, which contains important information about installation, use and maintenance.

If the protective screen, lens or UV screen on the lamp is visibly damaged, that is, damaged to the extent of failure, such as cracks or deep marks, it should be replaced.

The light source in this lamp should be replaced by the manufacturer or its service agent or a person with similar

qualifications.

There are no user-serviceable parts inside the lamp, so do not disassemble the lamp without authorization.

If the lamp fails, stop using it immediately and turn off the power supply for inspection; non-professionals are not allowed to repair it privately; if you need help, please contact after-sales personnel on the official website.

When the lamp is not used for a long time or needs repair, please turn off the power supply, do not unplug or directly drag the power cord.

When transporting the lamp again, please use the original packaging materials.

Unlock the Y axis before packing and transporting.

Do not look directly at the light source when the lamp is running.

Avoid direct sunlight or other strong light sources from entering through the front lens of the lamp, which may cause serious damage. Do not expose the front lens of the lamp to direct sunlight or other strong light sources during unpacking, installation, use or long-term outdoor idleness. Also, do not aim the beam of one lamp directly at another lamp.

If you have any questions, please contact the supplier or manufacturer in time.

## 2. Packaging and transportation

### Equipment packaging

- Disconnect the power supply before packaging the lamp and let the lamp cool for more than 15 minutes.
- Lock the horizontal axis protection lock and the vertical protection lock.
- Put on the plastic bag, hold the handle and hold the arm to turn the lamp upside down, and gently put it horizontally into the aviation box. Put the lamp accessories into the special accessories area of the aviation box, cover the aviation box cover and lock the hook. The aviation box is not allowed to be placed upside down.

### Transport protection lock

- For transportation safety, the lamp is equipped with protection locks for horizontal and vertical rotation.

### Unpacking

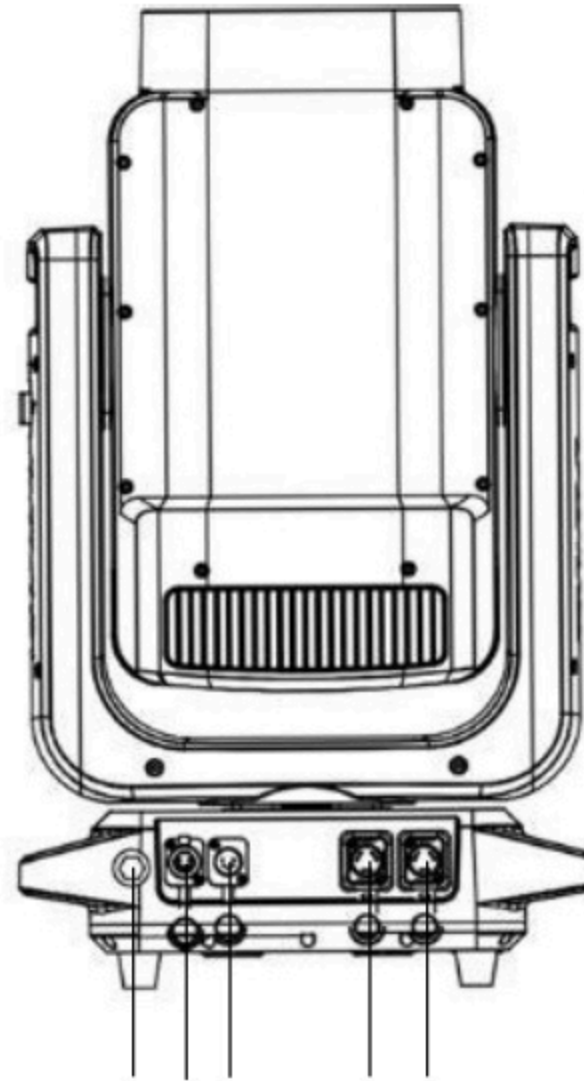
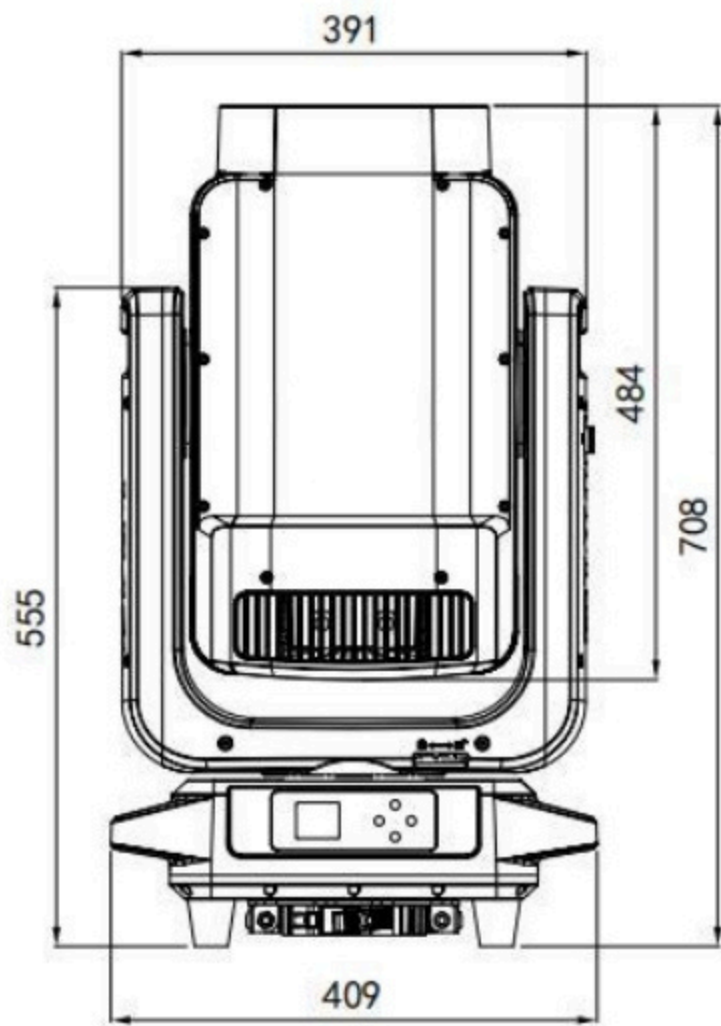
- Open the packaging box and remove the inner packaging bag.
- Grab the handle of the equipment and gently lift the lamp out of the packaging box.
- Open the lamp body protection lock before powering on the equipment.

Note: After receiving the lamp, please check whether the packaging is complete, and unpack and check whether the equipment is damaged due to transportation. If there is damage caused by transportation, please do not use this lamp and contact the local technician or manufacturer as soon as possible.

### Random packaging accessories

Accessories	Quantity	unit
Product manual	1	Book
Safety cable	1	Piece
DMX cable	1	Piece

### 3. Display and control



1 2 3 4 5

1. Breathing valve
2. DMX OUT
3. DMX IN
4. POWER IN
5. POWER OUT

Display	Lighting Function Description	
<b>Key functions</b>	MENU (Left)	Main menu selection or return to the previous page
	ENTER(Right)	Select OK
	▲ (UP)	Menu selection or parameter increment
	▼ (DOWN)	Menu selection or parameter decrement
Power on initialization: left and right keys		
Shortcut: When in the main interface, press and hold the upper and lower keys for 3 seconds at the same time to reverse the display;		
Battery display: When not connected to an external power source, press and hold the right key for 3 seconds to enter the setting menu parameters;		
Lock screen power on password: Press and hold the LEFT key for 5 seconds, and enter UP\DOWNUP\DOWN (▲\▼\▲\▼)after the screen turns on.		

## 4. Technical parameters

### Optical system

- Light source: 260W laser module
- Color temperature: 6500K
- LED lifetime: 12000 hours (data provided by light source supplier)

### Power System

- Voltage: AC100~240V, 50/60Hz
- Power consumption: 350W
- Power FactorPF: 0.937,Maximum input current:3.5A
- Power connection: Waterproof power IN/OUT
- DMX: XLR-3/XLR-5

### Effect

- Beam angle: 0.6-28°
- Prism: 2X4 prisms, 8 kinds prism effects , combinable with multi-layer beam effects, rotating in both directions, with prism positioning function
- Dimmer: 0%-100% linear dimming
- Strobe: 1-25times/sec High Speed Electronic Strobe
- Frost: 1 combinable light frost filter and 1 combinable heavy frost filter

### Color System

- CMY linear color mixing
- 19 colors + white light,rainbow effect with bidirectional rotation and positioning function

### Gobo System

- Rotating gobo: 12 interchangeable gobos+open, with shaking and positioning function
- Static gobo: 35 gobos+open,with shaking and positioning function

### Control

- 4 touch button control
- LCD display
- Control Protocols: DMX512, RDM
- DMX Channels: 22CH/27CH

### Movement:

- Pan:0-540°(16-bit control),bidirectional continuous rotation
- Tilt: 0-270°(16-bit control),bidirectional continuous rotation
- Automatic Pan/Tilt position correction

### Size

- Fixture size:409mm\*280mm\*708mm
- Net Weight: 31KG

### IP Rated

- IP66

### Work Environment:

- Maximum ambient temperature: 40°C
- Minimum operating temperature: -10°C
- Maximum surface temperature: 75°C

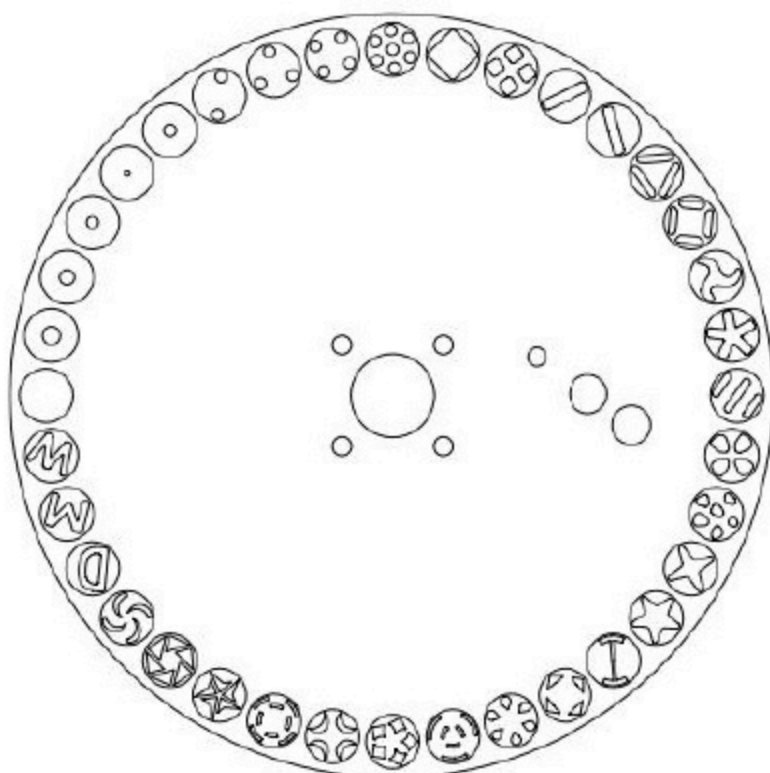
## 5. Color wheel, gobo wheel, effect wheel

### 5.1 Color wheel

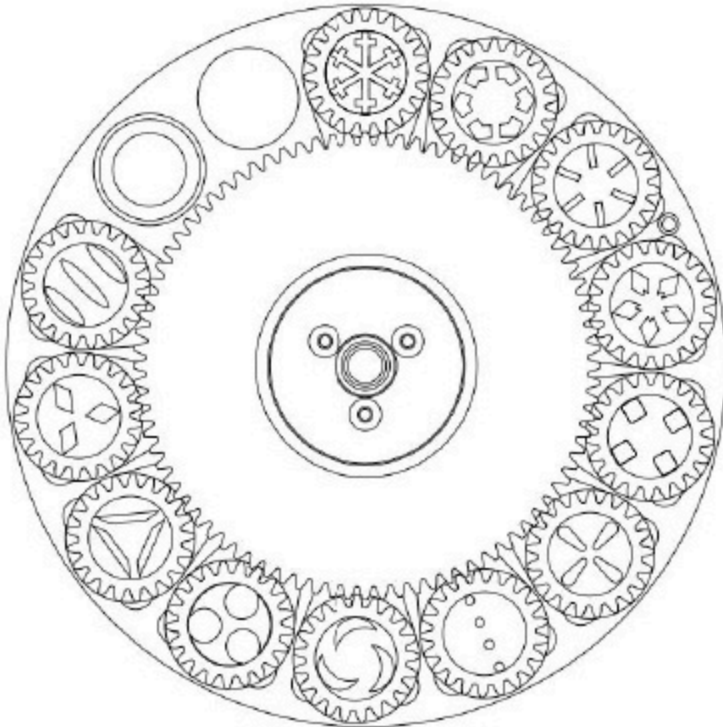


1. Pink	11. Light yellow
2. Orange	12. Dark orange
3. Rose red	13. Grass green
4. Yellow	14. Color temperature rise
5. Cyan	15. Blue-green
6. Color temperature drop	16. Light blue-purple
7. Amber	17. Fluorescent
8. Open	18. Dark red
9. Red	19. Blue
10. Yellow-green	20. Green

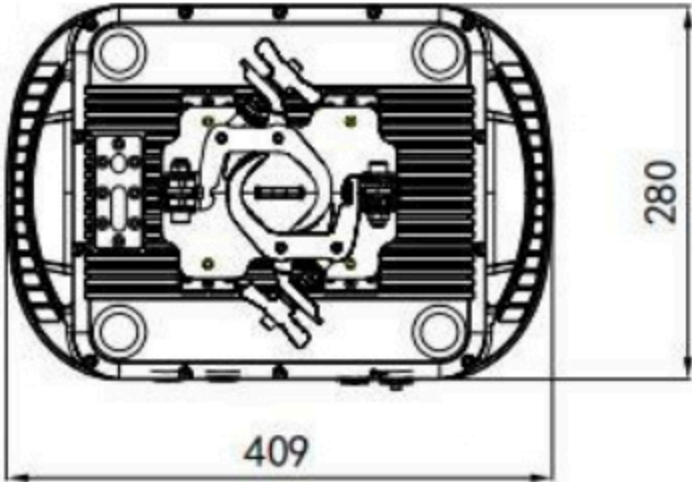
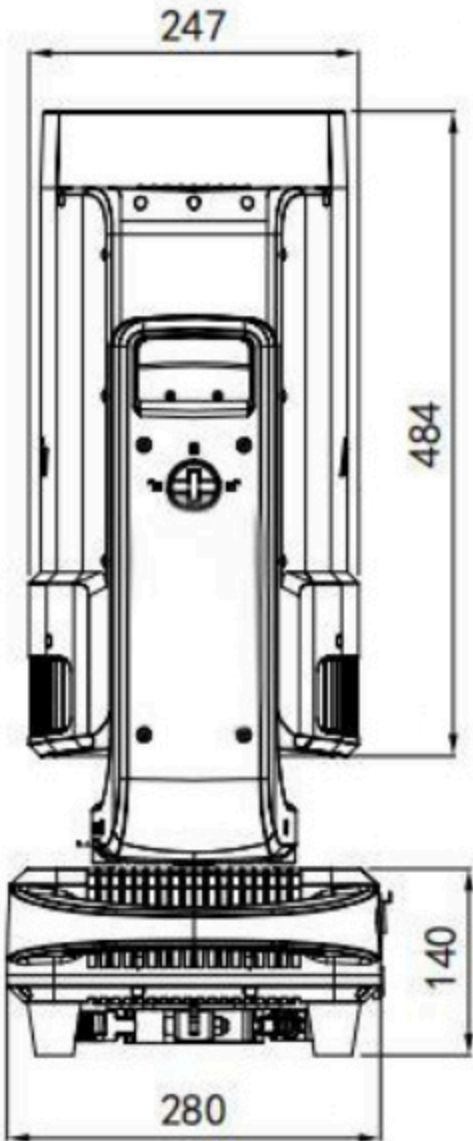
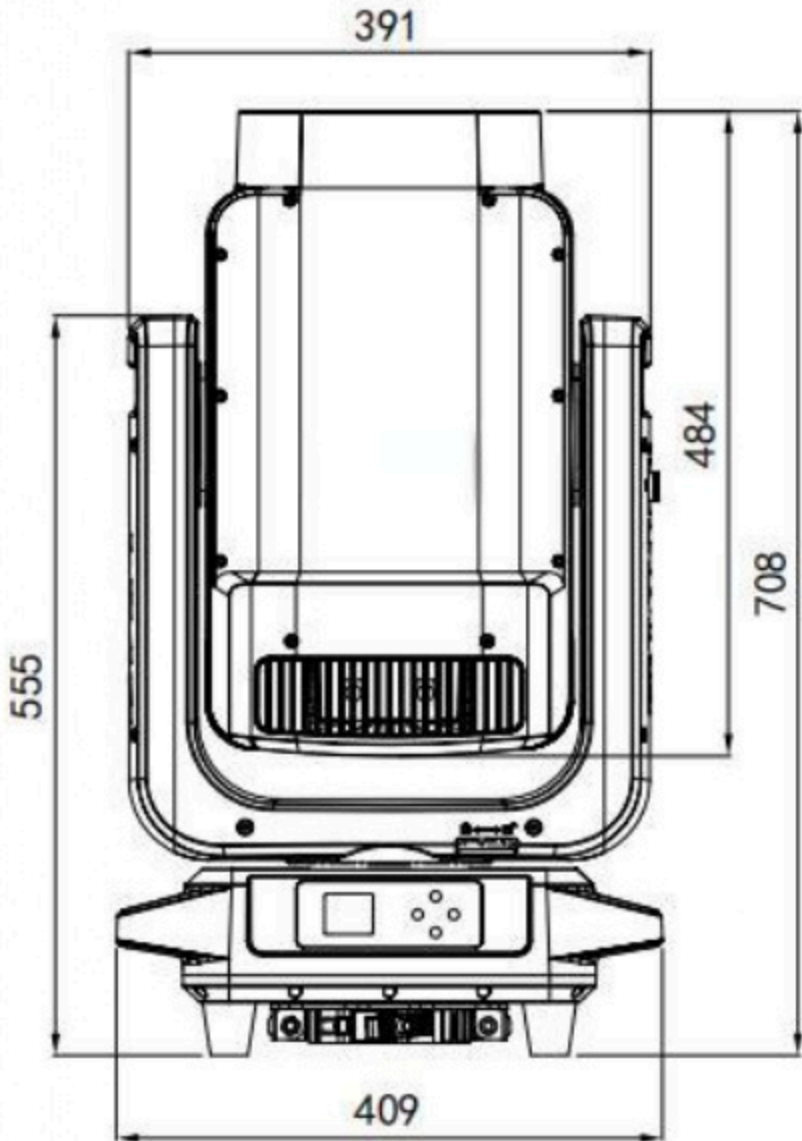
### 5.2 Gobo wheel



**5.3 Effect wheel**

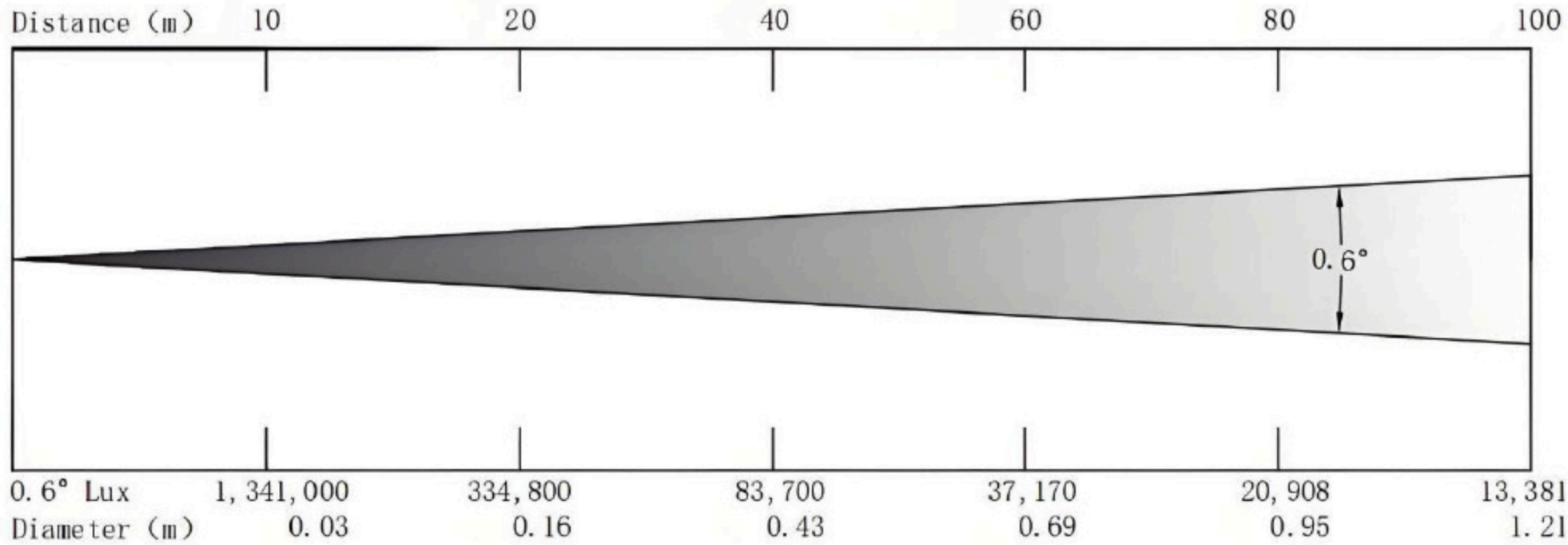


# 6. Dimensions



# 7. Lumen Data

## LA300



## 8. DMX Channel

### 27CH

No.	Function	Value	Percent/Setting
1	Pan	0--255	Pan control 0-540 degree
2	Fine Pan	0--255	Fine control (16-bit)
3	Tilt	0--255	Tilt control 0-270 degree
4	Fine Tilt	0--255	Fine control (16-bit)
5	Pan/tilt speed	0--255	Fast to slow
6	Pan continuous rotation control	0-9	No function
		10-127	Pan rotating, fast to slow
		128-130	Stop
		131-255	Reverse rotating, from slow to fast
7	Tilt continuous rotation control	0-9	No function
		10-127	Tilt rotating, fast to slow
		128-130	Stop
		131-255	Reverse rotating, from slow to fast
8	Strobe	0--31	LED off
		32--63	LED on
		64--95	Synchronized strobe, slow to fast (1-20Hz)
		96--127	LED on
		128--159	Pulse strobe, slow to fast
		160--191	LED on
		192--223	Random strobe, slow to fast
		224-255	LED on
9	Dimming	0--255	Dimming from 0-100%
10	Fine Dimming	0--255	Fine dimmer (16-bit)
11	Color Wheel	0-13	Open
		14-19	Color1
		20-25	Color2
		26-31	Color3
		32-37	Color4
		38-43	Color5
		44-49	Color6
		50-55	Color7
		56-61	Color8
		62-67	Color9
		68-73	Color10
		74-79	Color11
		80-85	Color12
		86-91	Color13
		92-97	Color14
		98-103	Color15
104-109	Color16		

		110-115	Color17
		116-121	Color18
		122-127	Color19
		128-190	Color scroll, fast to slow
		191-192	Stop
		193-255	Reverse color scroll, slow to fast
12	Static gobo Wheel	0-8	Open
		9-10	Static gobo 1
		11-12	Static gobo 2
		13-14	Static gobo 3
		15-16	Static gobo 4
		17-18	Static gobo 5
		19-20	Static gobo 6
		21-22	Static gobo 7
		23-24	Static gobo 8
		25-26	Static gobo 9
		27-28	Static gobo 10
		29-30	Static gobo 11
		31-32	Static gobo 12
		33-34	Static gobo 13
		35-36	Static gobo 14
		37-38	Static gobo 15
		39-40	Static gobo 16
		41-42	Static gobo 17
		43-44	Static gobo 18
		45-46	Static gobo 19
		47-48	Static gobo 20
		49-50	Static gobo 21
		51-52	Static gobo 22
		53-54	Static gobo 23
		55-56	Static gobo 24
		57-58	Static gobo 25
		59-60	Static gobo 26
		61-62	Static gobo 27
		63-64	Static gobo 28
		65-66	Static gobo 29
		67-68	Static gobo 30
		69-70	Static gobo 31
		71-72	Static gobo 32
		73-74	Static gobo 33
		75-76	Static gobo 34
77-78	Static gobo 35		
		79-81	Static gobo 1 Shaking
		82-84	Static gobo 2 Shaking

		85-87	Static gobo 3 Shaking
		88-90	Static gobo 4 Shaking
		91-93	Static gobo 5 Shaking
		94-96	Static gobo 6 Shaking
		97-99	Static gobo 7 Shaking
		100-102	Static gobo 8 Shaking
		103-105	Static gobo 9 Shaking
		106-108	Static gobo 10 Shaking
		109-111	Static gobo 11 Shaking
		112-114	Static gobo 12 Shaking
		115-117	Static gobo 13 Shaking
		118-120	Static gobo 14 Shaking
		121-123	Static gobo 15 Shaking
		124-126	Static gobo 16 Shaking
		127-129	Static gobo 17 Shaking
		130-132	Static gobo 18 Shaking
		133-135	Static gobo 19 Shaking
		136-138	Static gobo 20 Shaking
		139-141	Static gobo 21 Shaking
		142-144	Static gobo 22 Shaking
		145-147	Static gobo 23 Shaking
		148-150	Static gobo 24 Shaking
		151-153	Static gobo 25 Shaking
		154-156	Static gobo 26 Shaking
		157-159	Static gobo 27 Shaking
		160-162	Static gobo 28 Shaking
		163-165	Static gobo 29 Shaking
		166-168	Static gobo 30 Shaking
		169-171	Static gobo 31 Shaking
		172-174	Static gobo 32 Shaking
		175-177	Static gobo 33 Shaking
		178-180	Static gobo 34 Shaking
		181-183	Static gobo 35 Shaking
		184-218	Gobo scroll, fast to slow
		219-220	Stop
		221-255	Reverse gobo scroll, slow to fast
13	Rotating Gobo Wheel	0-8	Open
		9-10	Small white Dot
		11-12	Rotating Gobo 1
		13-14	Rotating Gobo 2
		15-16	Rotating Gobo 3
		17-18	Rotating Gobo 4
		19-20	Rotating Gobo 5
		21-22	Rotating Gobo 6

		23-24	Rotating Gobo 7
		25-26	Rotating Gobo 8
		27-28	Rotating Gobo 9
		29-30	Rotating Gobo 10
		31-32	Rotating Gobo 11
		33-34	Rotating Gobo 12
		35-43	Small white Dot
		44-52	Rotating Gobo 1 Shaking
		53-61	Rotating Gobo 2 Shaking
		62-70	Rotating Gobo 3 Shaking
		71-79	Rotating Gobo 4 Shaking
		80-88	Rotating Gobo 5 Shaking
		89-97	Rotating Gobo 6 Shaking
		98-106	Rotating Gobo 7 Shaking
		107-115	Rotating Gobo 8 Shaking
		116-124	Rotating Gobo 9 Shaking
		125-133	Rotating Gobo 10 Shaking
		134-142	Rotating Gobo 11 Shaking
		143-151	Rotating Gobo 12 Shaking
		150-200	Gobo scroll, fast to slow
		201-204	Stop
		205-255	Reverse gobo scroll, slow to fast
14	Rotating Gobo	0-127	Gobo control 0-360 degree
		128-191	Gobo scroll, fast to slow
		192	Stop
		193-255	Reverse gobo scroll, slow to fast
15	Cyan	0--255	light to dark
16	Magenta	0--255	light to dark
17	Yellow	0--255	light to dark
18	Prism 1	0-41	No function
		42-83	Prism1
		84-125	Prism2
		126-167	Prism3
		168-209	Prism4
		210-255	Frost 1
19	Prism 1 Rotating	0-9	No function
		10-127	Prism rotating,fast to slow
		128-130	Stop
		131-255	Reverse prism rotating, slow to fast
20	Prism 2	0-41	No function
		42-83	Prism5
		84-125	Prism6
		126-167	Prism7
		168-209	Prism8

		210-255	Frost 2
21	Prism 2 Rotating	0-9	No function
		10-127	Prism rotating,fast to slow
		128-130	Stop
		131-255	Reverse prism rotating, slow to fast
22	Zoom	0--255	Big to small
23	Fine Zoom	0--255	Fine control (16-bit)
24	Focus	0--255	Focus control
25	Fine Focus	0--255	Fine control (16-bit)
26	Mode Selection	0-170	Wash mode
		171-255	Beam+Spot mode
27	Function control	0-10	No function
		11--15	Moving head reset
		16--20	Pan/tilt reset
		21--25	Reset All
		26-255	Reserved function

## 22CH

No.	Function	Value	Percent/Setting
1	Pan	0--255	Pan control 0-540 degree
2	Tilt	0--255	Tilt control 0-270 degree
3	Pan/tilt speed	0--255	Fast to slow
4	Pan continuous rotation control	0-9	No function
		10-127	Pan rotating, fast to slow
		128-130	Stop
		131-255	Reverse rotating, from slow to fast
5	Tilt continuous rotation control	0-9	No function
		10-127	Tilt rotating, fast to slow
		128-130	Stop
		131-255	Reverse rotating, from slow to fast
6	Strobe	0--31	LED off
		32--63	LED on
		64--95	Synchronized strobe, slow to fast (1-20Hz)
		96--127	LED on
		128--159	Pulse strobe, slow to fast
		160--191	LED on
		192--223	Random strobe, slow to fast
		224-255	LED on
7	Dimming	0--255	Dimming from 0-100%
8	Color Wheel	0-13	Open
		14-19	Color1
		20-25	Color2
		26-31	Color3
		32-37	Color4
		38-43	Color5
		44-49	Color6
		50-55	Color7
		56-61	Color8
		62-67	Color9
		68-73	Color10
		74-79	Color11
		80-85	Color12
		86-91	Color13
		92-97	Color14
		98-103	Color15
		104-109	Color16
		110-115	Color17
116-121	Color18		
122-127	Color19		

		128-190	Color scroll, fast to slow
		191-192	Stop
		193-255	Reverse color scroll, slow to fast
9	Static gobo Wheel	0-8	Open
		9-10	Static gobo 1
		11-12	Static gobo 2
		13-14	Static gobo 3
		15-16	Static gobo 4
		17-18	Static gobo 5
		19-20	Static gobo 6
		21-22	Static gobo 7
		23-24	Static gobo 8
		25-26	Static gobo 9
		27-28	Static gobo 10
		29-30	Static gobo 11
		31-32	Static gobo 12
		33-34	Static gobo 13
		35-36	Static gobo 14
		37-38	Static gobo 15
		39-40	Static gobo 16
		41-42	Static gobo 17
		43-44	Static gobo 18
		45-46	Static gobo 19
		47-48	Static gobo 20
		49-50	Static gobo 21
		51-52	Static gobo 22
		53-54	Static gobo 23
		55-56	Static gobo 24
		57-58	Static gobo 25
		59-60	Static gobo 26
		61-62	Static gobo 27
		63-64	Static gobo 28
		65-66	Static gobo 29
		67-68	Static gobo 30
		69-70	Static gobo 31
		71-72	Static gobo 32
		73-74	Static gobo 33
		75-76	Static gobo 34
77-78	Static gobo 35		
79-81	Static gobo 1 shaking		
82-84	Static gobo 2 shaking		
85-87	Static gobo 3 shaking		
88-90	Static gobo 4 shaking		
91-93	Static gobo 5 shaking		

		94-96	Static gobo 6 shaking
		97-99	Static gobo 7 shaking
		100-102	Static gobo 8 shaking
		103-105	Static gobo 9 shaking
		106-108	Static gobo 10 shaking
		109-111	Static gobo 11 shaking
		112-114	Static gobo 12 shaking
		115-117	Static gobo 13 shaking
		118-120	Static gobo 14 shaking
		121-123	Static gobo 15 shaking
		124-126	Static gobo 16 shaking
		127-129	Static gobo 17 shaking
		130-132	Static gobo 18 shaking
		133-135	Static gobo 19 shaking
		136-138	Static gobo 20 shaking
		139-141	Static gobo 21 shaking
		142-144	Static gobo 22 shaking
		145-147	Static gobo 23 shaking
		148-150	Static gobo 24 shaking
		151-153	Static gobo 25 shaking
		154-156	Static gobo 26 shaking
		157-159	Static gobo 27 shaking
		160-162	Static gobo 28 shaking
		163-165	Static gobo 29 shaking
		166-168	Static gobo 30 shaking
		169-171	Static gobo 31 shaking
		172-174	Static gobo 32 shaking
		175-177	Static gobo 33 shaking
		178-180	Static gobo 34 shaking
		181-183	Static gobo 35 shaking
		184-218	Gobo scroll, fast to slow
		219-220	Stop
		221-255	Reverse gobo scroll, slow to fast
10	Rotating Gobo Wheel	0-8	Open
		9-10	Small white Dot
		11-12	Rotating Gobo 1
		13-14	Rotating Gobo 2
		15-16	Rotating Gobo 3
		17-18	Rotating Gobo 4
		19-20	Rotating Gobo 5
		21-22	Rotating Gobo 6
		23-24	Rotating Gobo 7
		25-26	Rotating Gobo 8
		27-28	Rotating Gobo 9

		29-30	Rotating Gobo 10
		31-32	Rotating Gobo 11
		33-34	Rotating Gobo 12
		35-43	Small white Dot
		44-52	Rotating Gobo 1 shaking
		53-61	Rotating Gobo 2 shaking
		62-70	Rotating Gobo 3 shaking
		71-79	Rotating Gobo 4 shaking
		80-88	Rotating Gobo 5 shaking
		89-97	Rotating Gobo 6 shaking
		98-106	Rotating Gobo 7 shaking
		107-115	Rotating Gobo 8 shaking
		116-124	Rotating Gobo 9 shaking
		125-133	Rotating Gobo 10 shaking
		134-142	Rotating Gobo 11 shaking
		143-151	Rotating Gobo 12 shaking
		150-200	Gobo scroll, fast to slow
		201-204	Stop
		205-255	Reverse gobo scroll, slow to fast
11	Rotating Gobo	0-127	Gobo control 0-360 degree
		128-191	Gobo scroll, fast to slow
		192	Stop
		193-255	Reverse gobo scroll, slow to fast
12	Cyan	0--255	light to dark
13	Magenta	0--255	light to dark
14	Yellow	0--255	light to dark
15	Prism 1	0-41	No function
		42-83	Prism 1
		84-125	Prism 2
		126-167	Prism 3
		168-209	Prism 4
		210-255	Frost 1
16	Prism 1 Rotating	0-9	No function
		10-127	Prism rotating,fast to slow
		128-130	Stop
		131-255	Reverse prism rotating, slow to fast
17	Prism 2	0-41	No function
		42-83	Prism5
		84-125	Prism6
		126-167	Prism7
		168-209	Prism8
		210-255	Frost 2
18	Prism 2 Rotating	0-9	No function
		10-127	Prism rotating,fast to slow

		128-130	Stop
		131-255	Reverse prism rotating, slow to fast
19	Zoom	0--255	Big to small
20	Focus	0--255	Focus Control
21	Mode Selection	0-170	Wash mode
		171-255	Beam+Spot mode
22	Function control	0-10	No function
		11--15	Moving head reset
		16--20	Pan/tilt reset
		21--25	Reset All
		26-255	Reserved function

## **9. Installation and connection**

### **8.1 Precautions**

This product is used outdoors, with a protection level of IP66, and is dust and water-proof.

When installing the device, be sure to keep away from flammable items (decorative materials, etc.), and keep a distance of at least 0.5 meters from them.

When hanging, be sure to install a safety rope, the weight of which is at least 10 times the weight of the lamp.

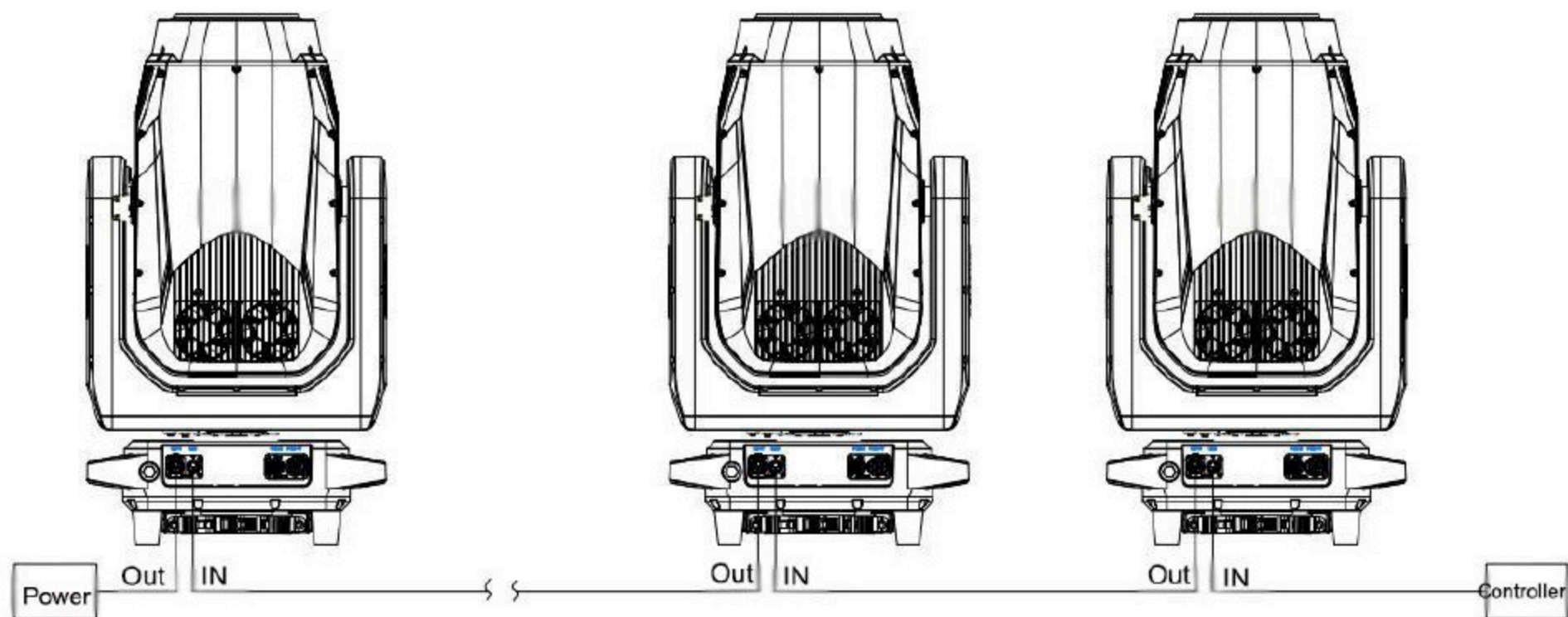
When hanging, the device that fixes the lamp must use a mounting bracket that can withstand at least 12 times the weight of the lamp.

The safety rope needs to pass through the safety rope hole of the lamp and the mounting bracket to ensure that the structure connecting the lamp is firm.

## 10. DMX connection

The device uses a three-core XL R plug to control DMX input and output. Pin 1 is grounded, pin 2 is connected to the negative polarity signal, and pin 3 is connected to the positive signal. Please use a professional DMX5 12 shielded twisted pair signal cable. The signal cable is generally connected at a distance of 150 meters. For long-distance signal transmission, a DMX5 12 signal amplifier needs to be added. Connect the DMX output port of the controller to the DMX input port of the first device, and connect the DMX output port of the first device to the DMX input port of the second device, and so on. All devices are directly connected. The connection method is as follows

(Figure5):



Note: ● Do not use multiple outputs to separate the connection. If you want to separate the continuous connection branches, you must use a DMX5 12 signal amplifier to separate them.

● Standard amplifier cables cannot reliably control long-distance data. Professional DMX5 12 shielded twisted pair signals must be used.

● The signal of a device cannot be connected to two inputs and two outputs, only one input and one output.

## 11. Power connection

### 10.1 Precautions for power connection

The input voltage of this product can work within the range of AC100-240V, 50/60Hz. The lamp uses input and output power cords. Due to power reasons, a 1.5 m<sup>2</sup> power cord can only carry up to 4 lamps (230V).

Before turning on the power, please check whether the X/Y axis lock of the lamp is loose.

Do not connect too many lamps to a single power cord, or overload it.

Wiring and wiring work must be performed by qualified electricians.

Do not use power cords with damaged insulation, and do not place power cords on other wires.

When the lamp is not in use or is being cleaned, please unplug the power cord.

Do not plug or unplug the power cord forcefully or drag the power cord directly.

## 12. Inspection and Cleaning

The lamps require daily cleaning and maintenance. The length of service life depends largely on the operating environment and daily cleaning and maintenance. If you have any questions, please consult our engineers for advice and report the maintenance work not included in this manual to our qualified engineers.

The precautions are as follows:



- Disconnect the power supply before opening any cover;
- After disconnecting the power supply, wait until the lamp is fully cooled before opening the housing;
- Clean the optical parts gently, the coating surface is easy to scratch, do not use damaging liquids or hard objects, which will damage the plastic and coating surface;
- Use unscented cotton paper or cotton cloth soaked in clean water or distilled water to wipe away granular matter, do not wipe the surface, use pressurized gas to blow away floating objects, but the residue must be removed with distilled water, wipe in circles from the center to both sides, and then wipe dry with a soft cotton cloth.
- When the lens is cracked or otherwise damaged, it should be replaced in time.
- Damage caused by excessive dust, smoke flow and abnormal use of the fan is not covered by the warranty.
- The lamp is equipped with a temperature protection device. When the temperature is too high, the protection device will automatically turn off the light. When this happens, please check whether the fan is running normally and whether the fan filter is clogged with dust. A qualified technician must find the fault and repair it before starting the lamp.
- It is recommended to clean and maintain the fan filter and lens once a week, and perform comprehensive maintenance on the lamp once every six months.

### Troubleshooting

The following are some common problems that occur during operation, and some suggestions for troubleshooting are attached:

- The lamp does not respond when powered on
  - Check whether the power input is normal.
  - Is the power switch in the on state.
  - Check whether the switch power supply is burned out.
- Not controlled by the console
  - Is the display screen flickering? If so, check the DMX signal connector and signal cable to see if they are connected correctly.
  - If the display screen does not flicker but does not respond to channel control, check whether the address code is set correctly.
  - If the DMX signal transmission is intermittent, check whether the XLR socket and the signal line are well connected.
- Replace the control device for testing.
- A channel is out of order
  - The stepper motor or motor lead may be damaged.
  - The motor drive circuit may be damaged.
- The light source is on and off
  - The light source cannot be lit normally, check whether the voltage is too high or too low.
  - The internal temperature may be too high, if necessary, replace the cooling fan.



# Contact Us

---



SALES@ILLUSIONUNIVERSE.CA



UNIT 11, 10 FALCONER DRIVE,  
MISSISSAUGA , ONTARIO, CANADA



WWW.ILLUSIONUNIVERSE.CA