



SONICFORCE 150

    /illusioncad

DESIGNED FOR CANADA 

ILLUSION
UNIVERSE

 www.illusionuniverse.ca

About the User Manual

The user manual is available and effective upon completion of the development of the device. The user manual includes product description, safety precautions, system connection instructions, operating instructions, and technical specifications of the device. Please read this manual carefully before connection, installation and use, and follow the corresponding instructions in the manual.



The instructions marked with this symbol on the rear panel of the machine are all matters that must be noted, and be sure to follow these instructions when using or operating the machine.

Please keep the user manual properly for unexpected needs.

V1.8

Facture 2025-02-17

Matters needing attention

Please read the following before operating the product.

Warning

The following basic requirements must be strictly observed, to avoid potential personal injury and equipment or property damages to you or any person nearby. The basic requirements include without limitation to the following:


Power Source / Power Cable

- Please disconnect the device from power source by pulling the plug other than the power cord. Pulling the power cord may result in damages.
- Please keep the power cord away from heat source. Do not over-bend the power cord or place it anywhere it can be stepped on or may cause to trip.
- This is connected to power source via the plug and any failure or danger occurs, the user can disconnect the device from power source by pulling out the plug out from the socket, therefore, it is required that the power socket should be located somewhere with easy access.
- The device is not completely disconnected from power source when it is switched "OFF". For sake of safety, please disconnect the device from the socket if it is not in user.

Positioning

- Please disconnect the device from power source before relocating the device.
- For avoiding deformation of panels and damages to internal components, please do NOT place the device where there is heavy dust or violent vibration, or where it is extremely cold or hot.
- Please keep this device off water drops or splash or vase filled with water or any other articles of similar nature.

Connection

- Please disconnect other equipment from power source before they are connected to this product. Please tune volume to its minimum level before the device is powered ON or OFF.
- All terminals on the device marked with  are live and dangerous, and should be connected by trained personnel.

When abnormal conditions are realized

- Please disconnect the device from power source immediately in case the power cord is worn or damaged or if the sound is suddenly cut off or any abnormal odor or smoke comes out from the device, and then have the device inspected and repaired by professional personnel.

Precautions in Operation

- Please do NOT insert any finger into any gap or opening of the device.
- Please prevent foreign objects (paper, plastics or metal etc.) from being inserted or falling into any gap or opening of the device. In such case, please cut off power source immediately.
- Please do NOT put the body or any heavy object on the device and do NOT operate the buttons or switches or connections with excessive force.

Do NOT Open

- Please do NOT remove the cover of the equipment, otherwise you may get an electric shock.
- Do NOT attempt to remove any internal component from the device, or to modify the equipment in whatever manner. In case of any abnormal condition, please stop using the device immediately and have it inspected and repaired by professional personnel.

Other Precautions

- Our company shall not be responsible for data loss or damages due to improper use of unauthorized modification to the device.
- The images and screen display in this Manual are only for description and may be different from screen images in actual operation. The screen display depends on the product.

CONTENTS

I. System Introduction.....	1
II. Product Introduction.....	1
2.1 Acoustic Hailing Player.....	1
2.1.1 Brief introduction.....	1
2.1.2 Features.....	1
2.1.3 Appearance Description.....	2
2.1.4 Operation Description.....	3
2.1.5 Specifications.....	4
2.2 Handheld Microphone Interface.....	4
2.2.1 Brief introduction.....	4
2.3 Active Directional Long Range Acoustic Hailing Speaker.....	5
2.3.1 Brief introduction.....	5
2.3.2 Features.....	6
2.3.3 Appearance Description.....	6
2.3.4 Installation Description.....	7
2.3.5 Specifications.....	8
Packing List.....	9
Active Directional Long Range Acoustic Hailing Speaker _Packing List.....	10
Acoustic Hailing Player_Packing List.....	11
Handheld Microphone _Packing List.....	11

I. System Introduction

The Acoustic Hailing System has the characteristic of portable, high sound pressure level, high direction, high definition, etc., which is suitable for military systems (anti-terrorism explosion-proof, border defense, coastal defense, marine surveillance, sentry posts), public security system (group emergency control, public security and stability maintenance, etc.), public safety system (joint defense for public security, fire protection, safety supervision, bird repelling at airport), emergency response system (emergency rescue, meteorological early warning, geological early warning), public address system (square, wharf, factory, large-scale project), etc.;

The system devices include Acoustic Hailing Player, Active Directional Long Range Acoustic Hailing Device and Handheld Microphone.

II. Product Introduction

2.1 Acoustic Hailing Player

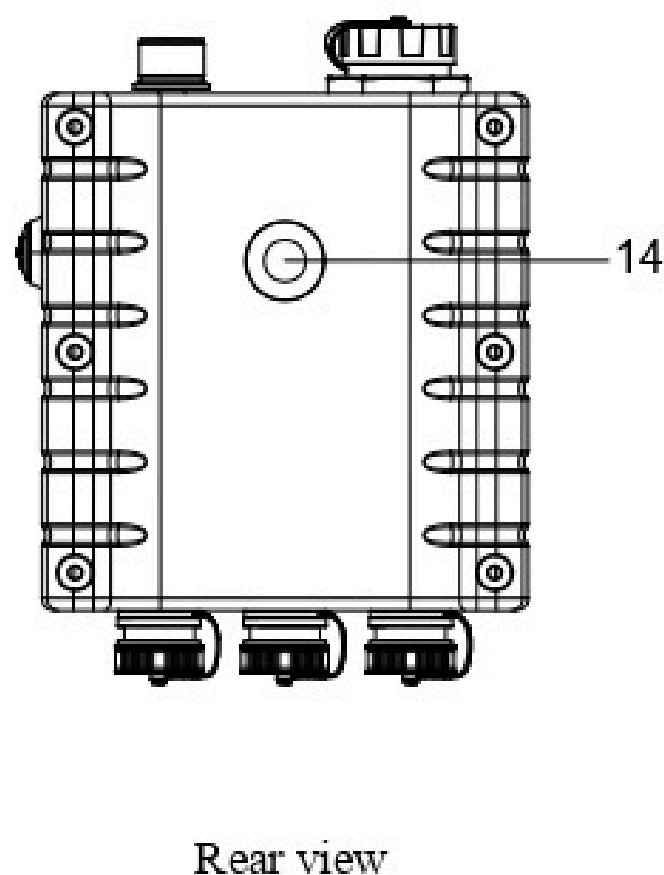
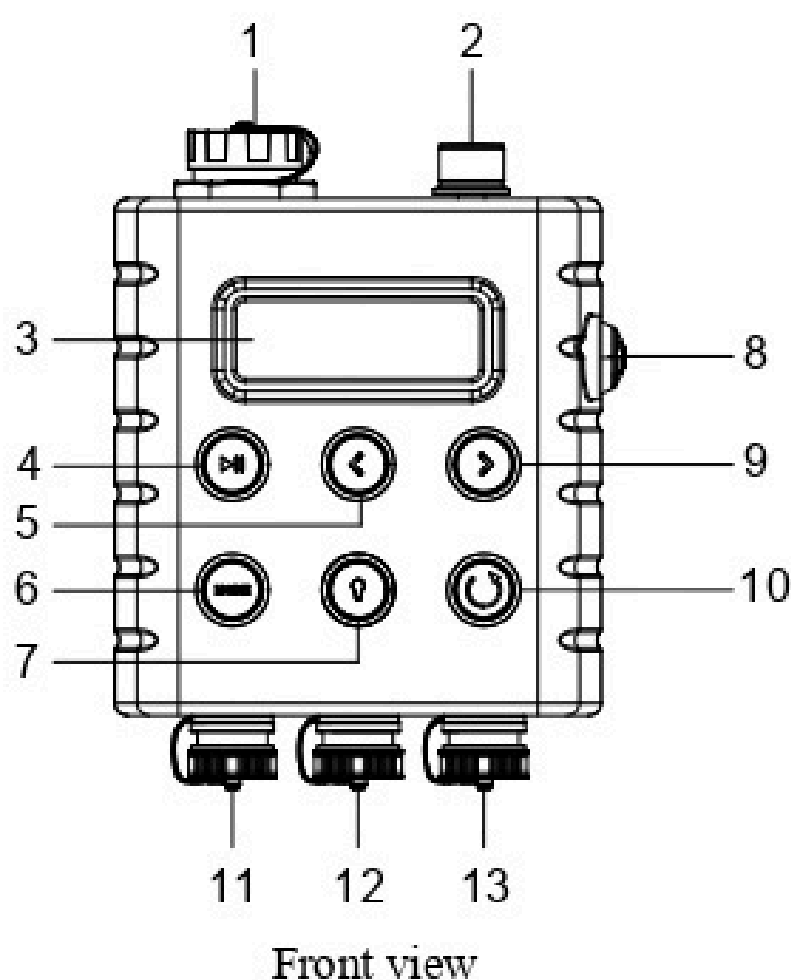
2.1.1 Brief introduction

This product is an audio source device adapted to active directional long range acoustic hailing device with digital display, USB interface, Bluetooth, MP3 playback, and waterproof design.

2.1.2 Features

- Support one key to play strong dispersion sound;
- LCD display screen, support working status display;
- Built-in player, support USB disk playback;
- Support wired dedicated MIC input;
- Support MIC recording and recording playback;
- Support line input;
- Matching Active Directional Long Range Acoustic Hailing Speaker to provide audio sources, including MP3, Bluetooth, etc;
- Waterproof level IP65, designed with waterproof structure.

2.1.3 Appearance Description



1. USB Interface
Support USB2.0, USB flash drive with a capacity of 32G or less, good compatibility.
2. Volume Knob
Rotate the volume clockwise to increase, and rotate counterclockwise to decrease the volume.
3. Display screen
Display mode, playback status and working status indication.
Note: when AMP PROTECT ! is displayed, it indicates DC or short circuit protection.
4. Play/Pause Button
It refers to pause playback in the USB playback mode and Bluetooth mode
5. Previous Song
In USB disk and Bluetooth playback mode, short press to switch to the previous song, and long press to decrease the volume.
6. Mode Switch Button
Press this button to switch between USB disk playback mode, line input mode

- (AUX) and Bluetooth playback mode (BLUE) in turn.
7. Button/screen backlight switch
When used at night, press the button to turn on the button/ screen backlight, the button light is displayed in green constantly, press it again to turn off the backlight.
8. Play dispersion sound button
One button triggers the dispersion signal, and pressing it again will stop triggering. This source has the highest priority.
9. Next Song
In USB disk and Bluetooth playback mode, short press to switch to the next song, and long press to increase the volume.
10. Playback Mode Switch Button
In the USB disk and Bluetooth playback modes, the playback modes are: all loop (ALL), random play (RAN), and single loop (ONE).
11. Handheld Microphone Interface
12. Line Input Port
The label 1 is the ground terminal, the

label 2 is the R input, and the label 3 is the L input.

13. Acoustic Hailing Device Chassis Wiring Port

Using 7-pin shielded cable to connect

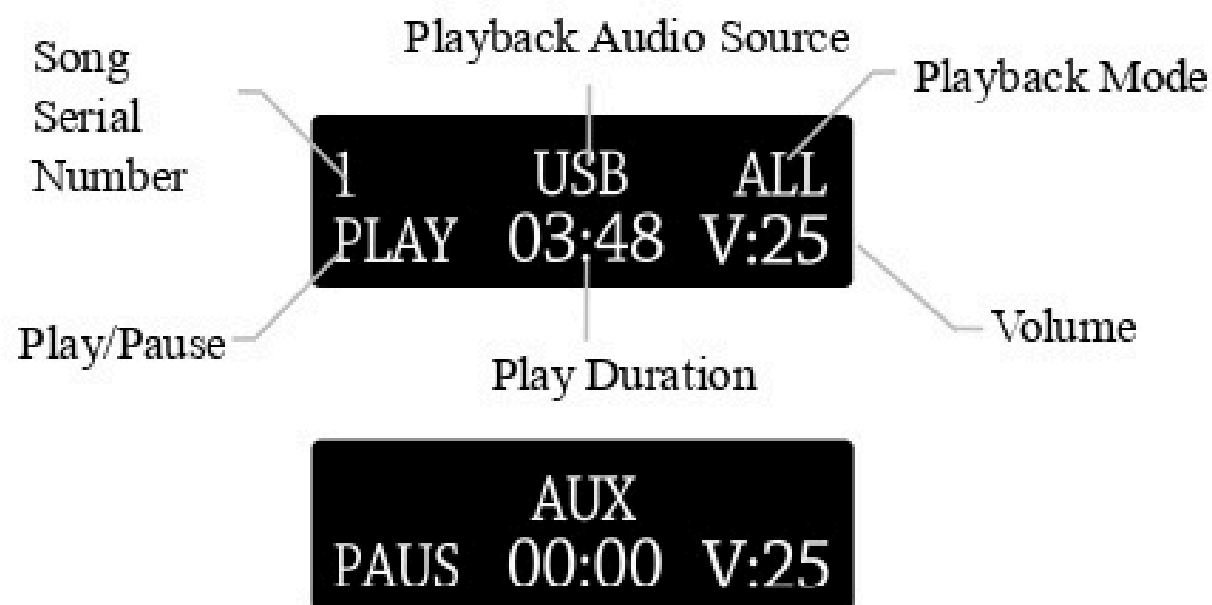
acoustic hailing device

14. Mounting Bracket

Installed or suspended in the Acoustic Hailing Device Chassis

2.1.4 Operation Description

(1) The player is powered by the Active Directional Long Range Acoustic Hailing Speaker . After turning on the power switch of the Acoustic Hailing Device, the player is powered on and the MODE button can be pressed to switch three working modes: USB disk playback mode, line input mode (AUX), and Bluetooth playback mode (BT). The USB flash drive is plug-and-play when inserted and will automatically switch to USB mode.



(2) In Bluetooth playback mode (BT) and USB disk playback mode, press the play/pause button on the panel to play/pause; press the previous or next button to select a song to play.

(3) Bluetooth mode: press “MODE” button, the display screen will display the word ‘BT’, please turn on the switch of Bluetooth devices such as mobile phones and computers, search for Bluetooth devices, find the device name of "Dispel player" and pair it. Successful pairing can play the audio source in the mobile phone and computer, and the wireless transmission distance is within 10m, with excellent wireless transmission function.



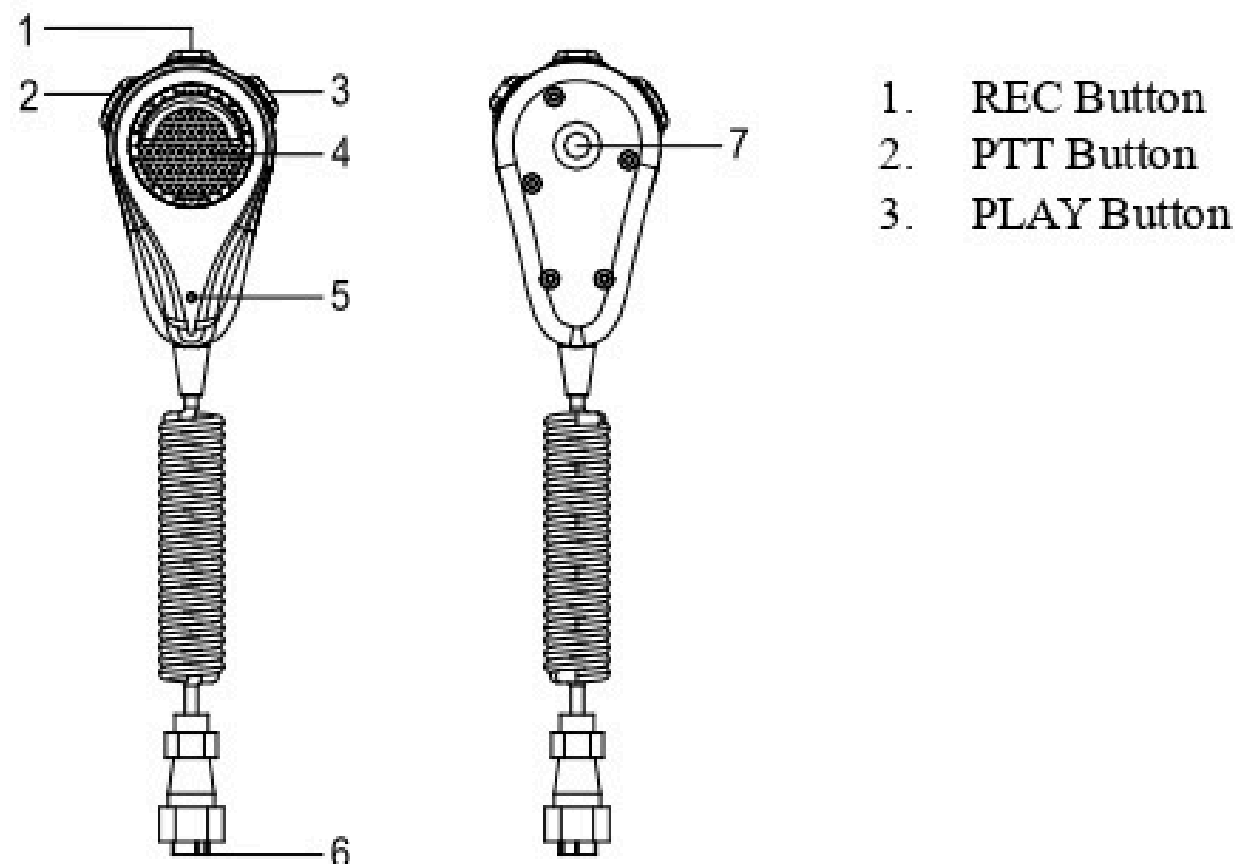
2.1.5 Specifications

Item	Acoustic Hailing Player
Input Sensitivity (MIC)	10±2mV
Input Sensitivity (AUX)	300±50mV
Input Sensitivity (USB)	-10dB
Input Sensitivity (Bluetooth)	-10dB
Audio Output	2000±200mV
Frequency Response (AUX)	400Hz-8kHz
Frequency Response (MIC)	400Hz-8kHz (±3dB)
Distortion	≤1%
Audio Format	MP3, WAV
Power Supply	DC12V/1A
Player Dimension	160×122×55mm
Player Net Weight	0.43kg

2.2 Handheld Microphone Interface

2.2.1 Brief introduction

The handheld microphone is used to record, store and play recordings, the microphone stores only one recording at a time.



1. REC Record Button

Before recording, insert a USB flash drive, and then press and hold the PTT + REC button for about 3 seconds to start recording. Press and hold the PTT+REC button for 3 seconds and release them to exit recording. (For optimal recording quality, turn the volume potentiometer to the minimum when recording, and adjust the volume to the desired level after recording.)

2. PTT Black Microphone Button

Press and hold the PTT button to activate the speaking function, and release the PTT button to exit the speaking function.

3. PLAY Button for Playing Recording

Press the PLAY button once to enter the recording playback function, starting with the latest recording; press it again to exit the recording playback.

4. Microphone Pickup Window

5. Recording Indicator Light

The indicator LED will blink once when recording the voice or audio reappearance.

6. Microphone Plug (Connect Handheld Microphone Interface, Point 11 of 2.1.3 Appearance Description)

7. Mounting Bracket

Installed or suspended in the Acoustic Hailing Device Chassis

2.3 Active Directional Long Range Acoustic Hailing Speaker

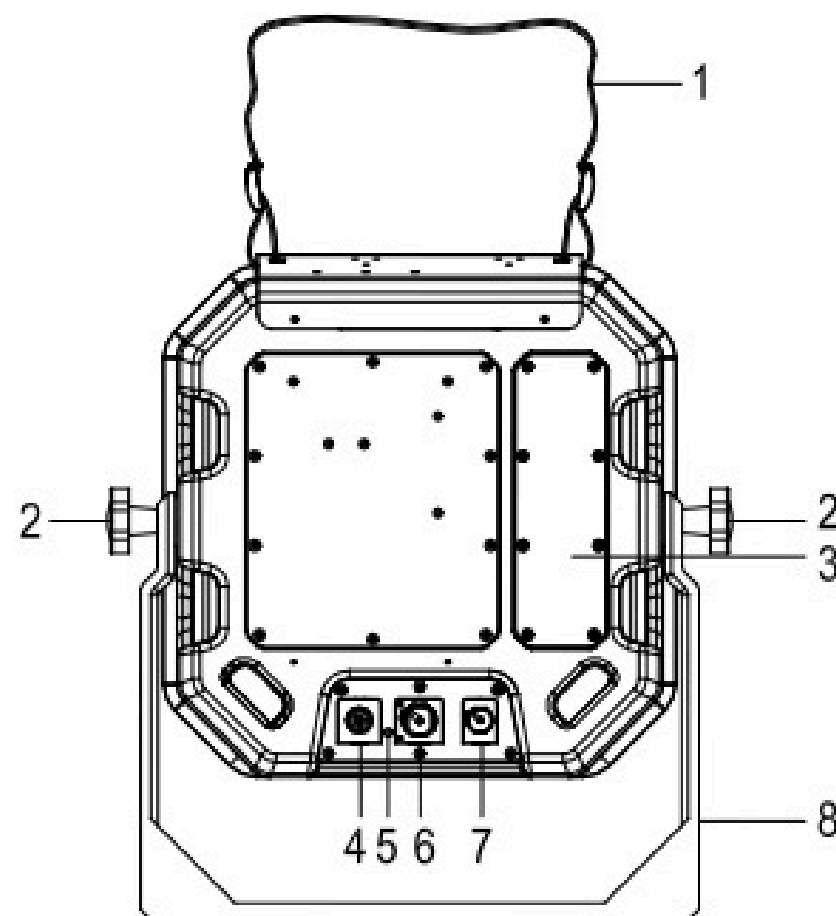
2.3.1 Brief introduction

This device is an Active Directional Long Range Acoustic Hailing Speaker , with the characteristics of portable, high sound pressure level, high orientation and high definition, which is suitable for explosion-proof, anti-terrorism, warning and other places.

2.3.2 Features

- All-weather design, the shell made of high-strength industrial technology has super weather resistance;
- Has good directing control ability, and there will be no directivity changes with the increase of frequency;
- The effective distance at which acoustic hailing can up to 250m;
- The sound transmission distance can reach 700 meters and 80dB with clear sound;
- Handheld and portable, it supports vehicle DC26V-28V power supply, built-in DC24V lithium battery, and the battery duration up to 1 hour, please keep the charging voltage at DC27V-30V.
- Waterproof level IP65, designed with waterproof structure.

2.3.3 Appearance Description



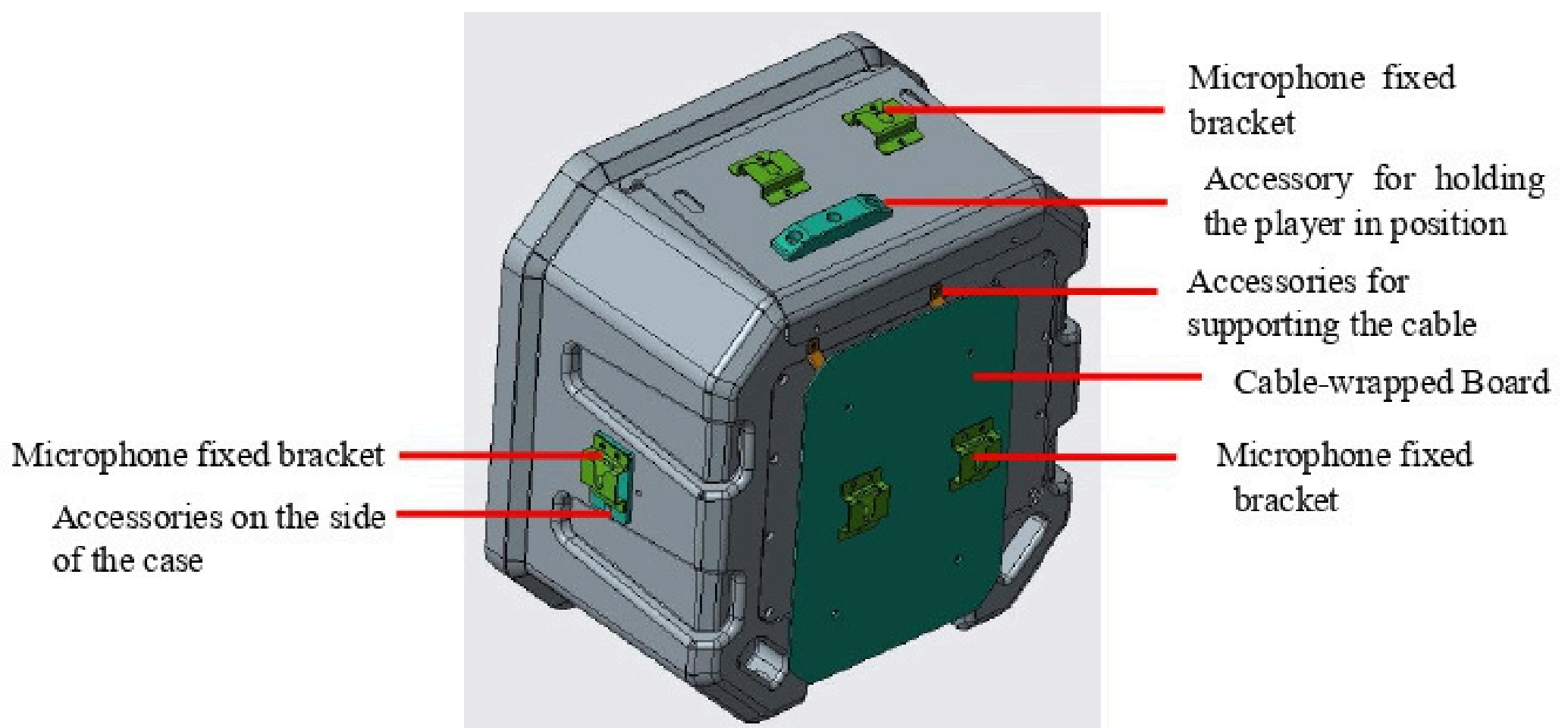
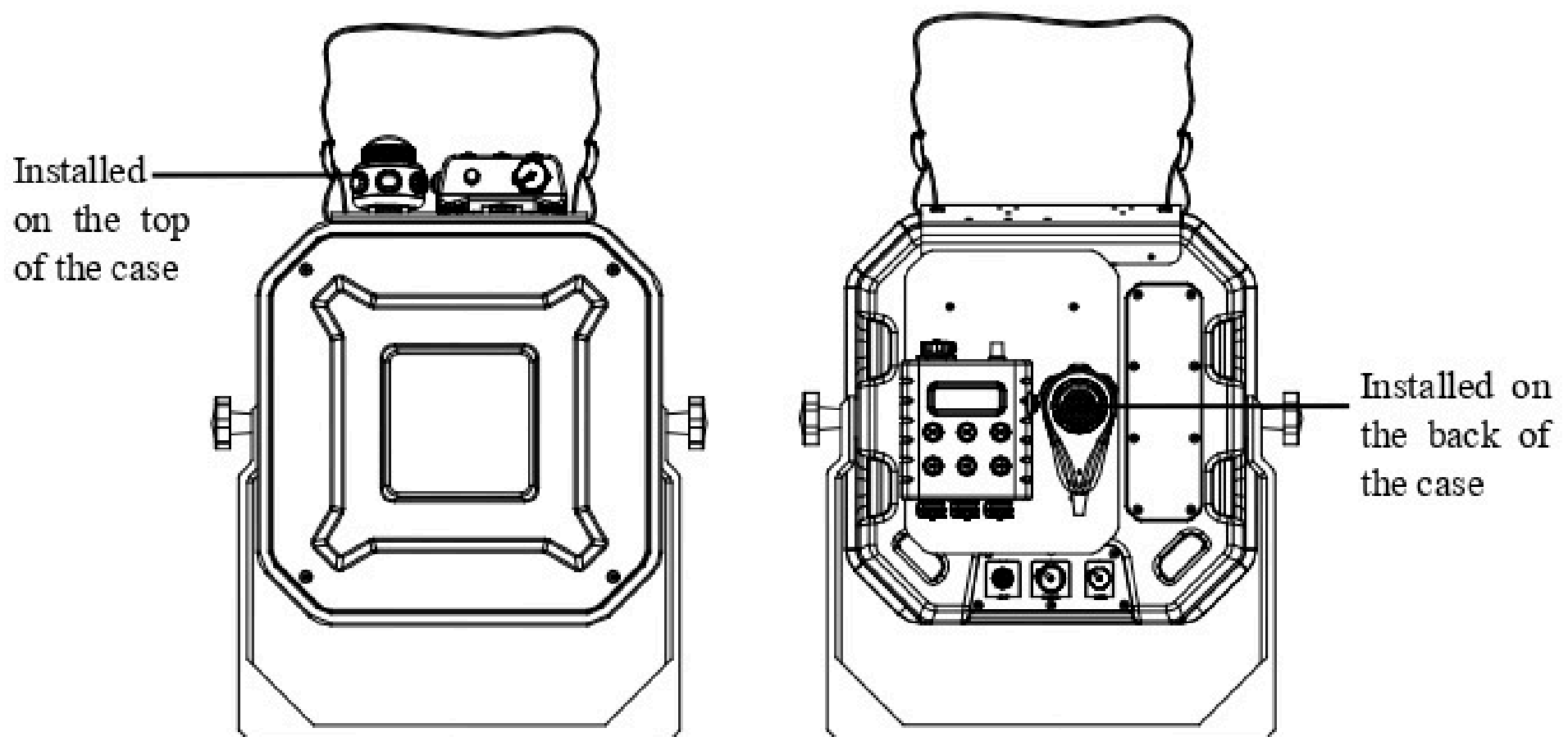
1. Adjustable handle rope
2. Hexagonal plum flower head plastic machine screw
Used to fix the vehicle mounting bracket.
3. Sealed battery compartment
4. Waterproof self-resetting power soft-switching
Press the power switch to turn on the power, press and hold the power switch again to turn off the power.
5. Charging Indicator Light
Connect to DC power supply to charge the battery, the indicator light is off when fully charged, it takes about 4 hours to charge 90%, and about 5.5 hours to fully charge.
6. DC24V/15A power supply
Connect the power adapter to power the case, and also charge the battery.

Note: The normal working voltage of the case is DC24V, because the case has a built-in DC24V lithium battery and the charging voltage is DC25.2V, if you want to fully charge the battery, it is necessary to access DC27V – 30V DC power supply!

7. Acoustic Hailing Device (Connect Acoustic Hailing Device Chassis Wiring Port, Point 13 of 2.1.3 Appearance Description)
8. Vehicle-mounted fixed bracket

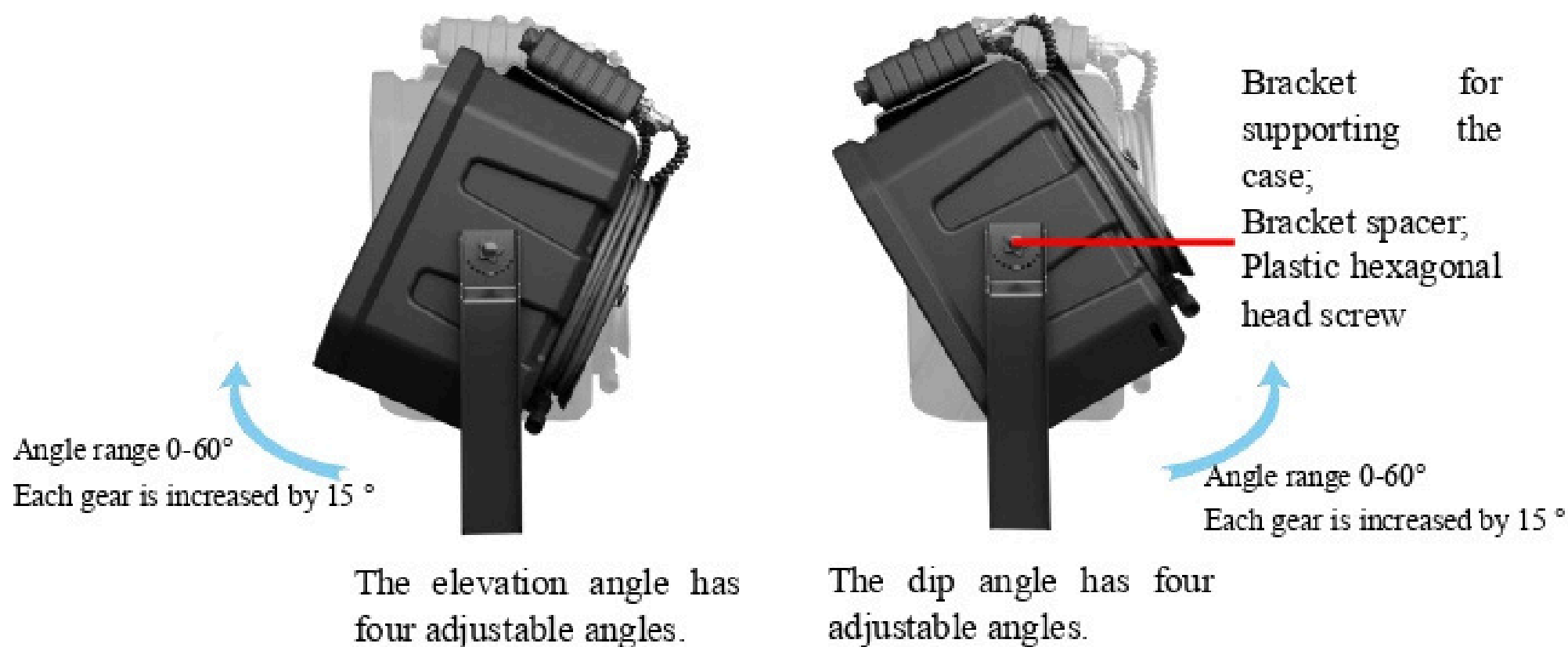
2.3.4 Installation Description

When in use, the handheld microphone and the acoustic hailing player can be hung on the top, back or both sides of the case;



When used in a vehicle, a mounting bracket can be installed. There are mounting screw holes at the bottom of the bracket to facilitate fixing in the car. The elevation/tilt angle can be adjusted in four gears.

The angle range is 0-60°, and each gear is increased by 15°.



2.3.5 Specifications

Item	Active Directional Long Range Acoustic Hailing Speaker
Rated Power	150W
DC Input Voltage	DC27V-30V
Signal Input Voltage	2000±200mV
Rated Impedance	4Ω
Frequency Response	340Hz-6kHz
Max. SPL (1 m)	136±2dB
Sound Beam Angle	±15° (@2.5kHz)
Waterproof Level	IP65
Package Dimension (Flight Case)	490×420×340mm
Dimension	365×373×217mm
Gross Weight	21kg
One-handed Mic Net Weight	0.3kg
Acoustic Hailing Device Net Weight	7.8kg

Packing List

No.	List	Quantity
1	Active Directional Long Range Acoustic Hailing Speaker	1 PC
2	Handheld Microphone	1 PC
3	Acoustic Hailing Player	1 PC
4	User Manual	1 COPY
5	Power Adapter	1 PC
6	Power Cable	1 PC
7	Acoustic Hailing System_7-pin shielded cable	1 PC
8	M4 × 12 Cross recessed truss head screw/Black/Stainless	4 PCS
9	M8 × 12 Hexagonal plum flower head plastic fingertight	2 PCS
10	Acoustic Hailing System_Accessory for holding the player	1PC
11	Acoustic Hailing System_Cable-wrapped Board	1PC
12	Acoustic Hailing System_Accessories for supporting the	4PCS
13	Acoustic Hailing System_Bracket for supporting the case	1PC
14	Acoustic Hailing System_Bracket spacer	2 PCS
15	Acoustic Hailing System_Accessories on the side of the case	2 PCS
16	Microphone fixed bracket	2 PCS
17	M8×8 304 Stainless steel CM cross recessed flat head	2 PCS
18	Cross recessed truss head screw /Black/3 × 10/Stainless Steel	3 PCS
19	Cross recessed truss head screw /Black/3× 6/Stainless Steel	10 PCS
20	Cross recessed countersunk head screw /Black/3 ×	4 PCS
21	Aviation plug	1 PC

Active Directional Long Range Acoustic Hailing Speaker _ Packing List

No.	List	Quantity
1	Active Directional Long Range Acoustic Hailing Speaker	1 PC
2	User Manual	1 COPY
3	Power Adapter	1 PC
4	Power Cable	1 PC
5	Acoustic Hailing System_ 7-pin shielded cable	1 PC
6	M4×12 Cross recessed truss head screw/Black/Stainless steel	4 PCS
7	M8×12 Hexagonal plum flower head plastic fingertight	2 PCS
8	Acoustic Hailing System_ Accessory for holding the player	1PC
9	Acoustic Hailing System_ Cable-wrapped Board	1PC
10	Acoustic Hailing System_ Accessories for supporting the	4PC
11	Acoustic Hailing System_ Bracket for supporting the case	1PC
12	Acoustic Hailing System_ Bracket spacer	2 PC
13	Acoustic Hailing System_ Accessories on the side of the case	2 PC
14	Microphone fixed bracket	2 PC
15	M8 × 8 304 Stainless steel CM cross recessed flat head	2 PCS
16	Cross recessed truss head screw /Black/3 × 10/Stainless Steel	3 PCS
17	Cross recessed truss head screw /Black/3 × 6/Stainless Steel	10PCS
18	Cross recessed countersunk head screw /Black/3 ×	4 PCS

Acoustic Hailing Player _ Packing List

No.	List	Quantity
1	Acoustic Hailing Player	1 PC
2	Aviation Plug	1 PC

Handheld Microphone _ Packing List

No.	List	Quantity
1	Handheld Microphone	1 PC

Caution

- The device is not completely disconnected from power source when it is switched "OFF". For sake of safety, please disconnect the device from the socket if it is not in use.
- Please keep this device off water drops or splash or vase filled with water or any other articles of similar nature.
- Please do NOT remove the cover of the equipment, otherwise you may get an electric shock. Where necessary, repair to the equipment should be conducted by qualified professionals.
- All terminals on the device marked with ⚡ are live and dangerous, and should be connected by trained personnel.
- This is connected to power source via the plug and any failure or danger occurs, the user can disconnect the device from power source by pulling out the plug out from the socket, therefore, it is required that the power socket should be located somewhere with easy access.



Contact Us



SALES@ILLUSIONUNIVERSE.CA



UNIT 11, 10 FALCONER DRIVE,
MISSISSAUGA , ONTARIO, CANADA



WWW.ILLUSIONUNIVERSE.CA