

aurorä

STORM BAR II



## PRO-STORM BAR II

    /illusioncad

DESIGNED FOR CANADA 

**ILLUSION**  
UNIVERSE

 [www.illusionuniverse.ca](http://www.illusionuniverse.ca)

# 1. SAFETY INSTRUCTIONS

## IMPORTANT SAFETY WARNING

This device has left the factory in perfect condition. In order to maintain this condition and to ensure safe operation, it is absolutely necessary for the user to follow the safety instructions and warning notes written in this user manual.

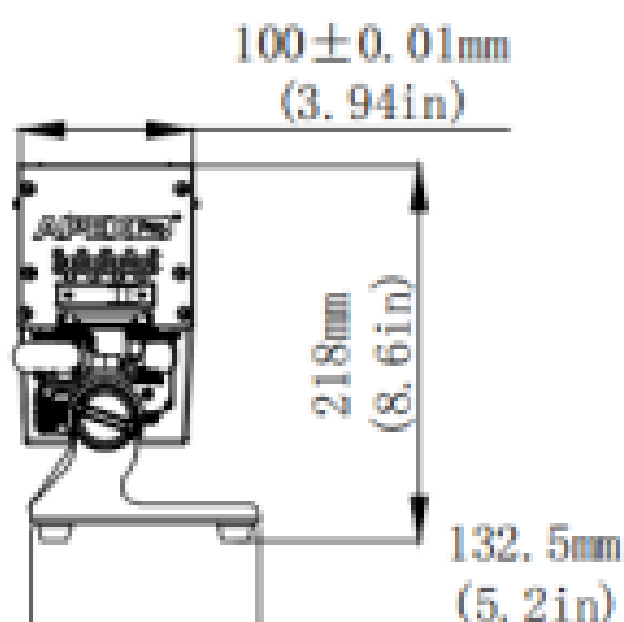
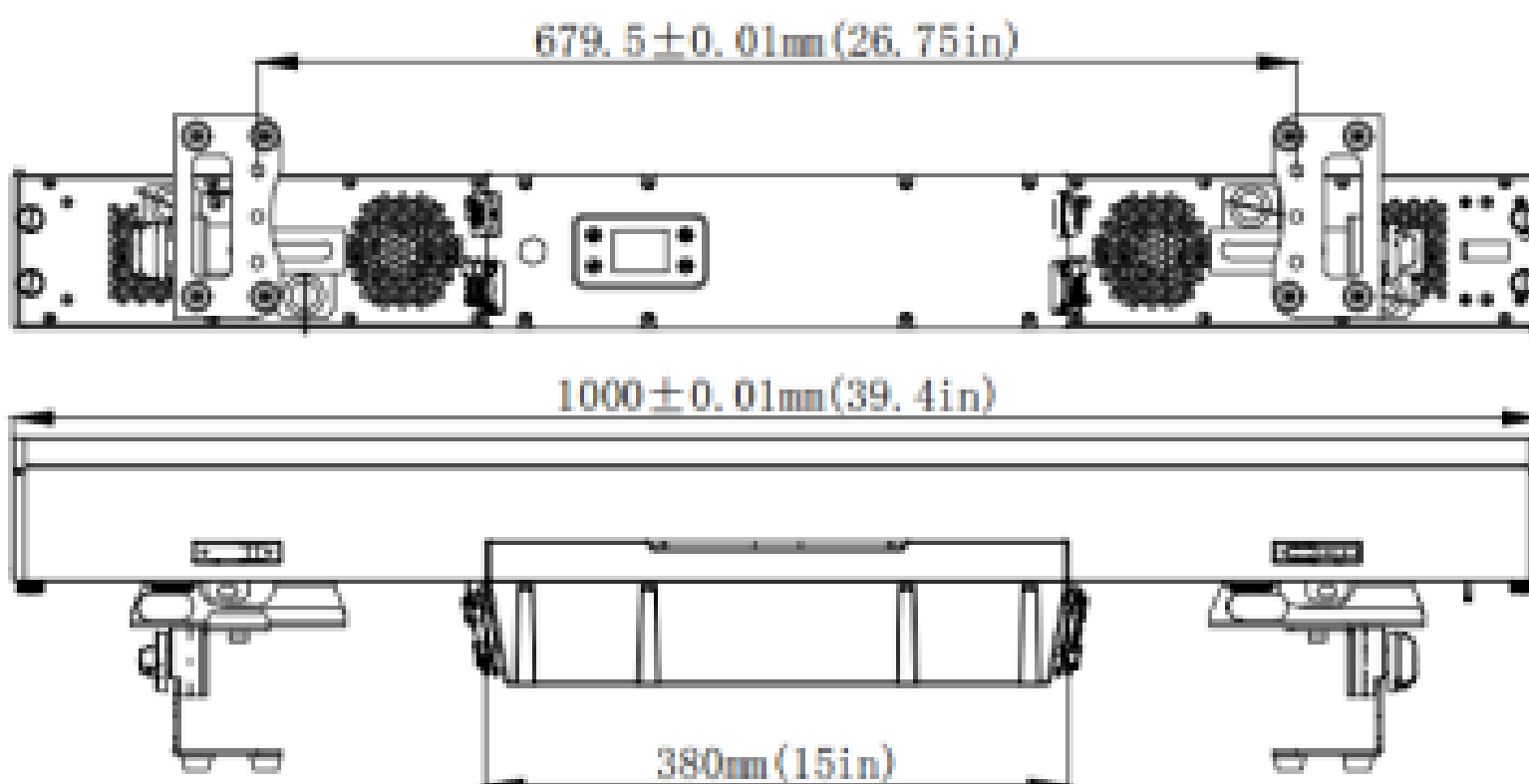
In order to install, operate, and maintain the lighting fixture safely and correctly we suggest that the installation and operation be carried out by qualified technicians and these instructions be carefully followed.

**NEVER TOUCH THE DEVICE DURING OPERATION! COVERS MAY BE HOT**

### ***Important:***

***Damage caused by the disregard of this user manual is not subject to warranty. The dealer and manufacturer will not accept liability for any resulting defects or problems.***

# 2. DIMENSION DRAWINGS



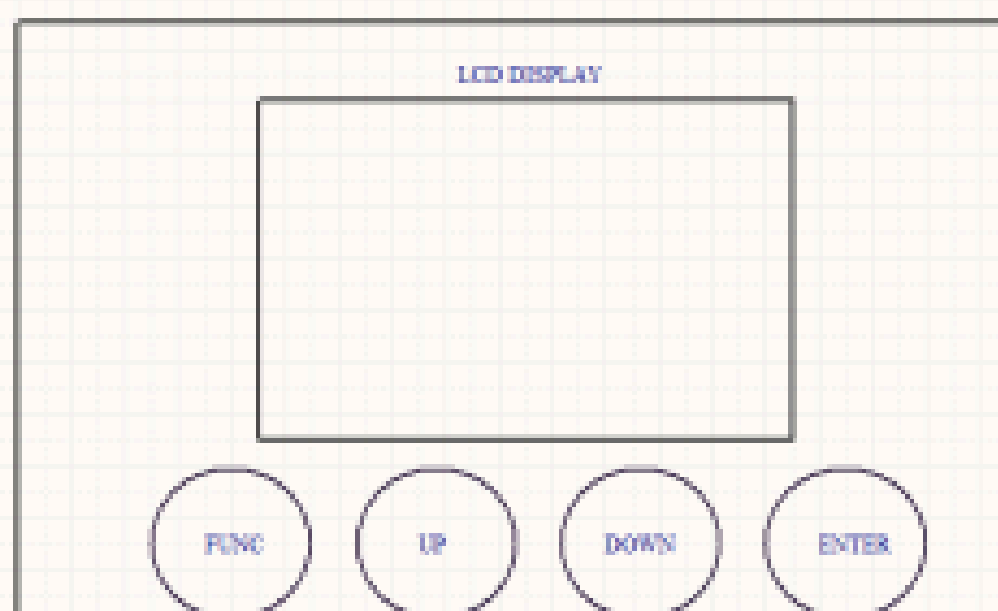
(unit : mm / in)

### 3. MAIN CONTROL MANU

MAIN	-----SET	-----1.DMX addre -----2.Run mode -----3.Auto set -----4.Channel mode -----5.Lcd protect -----6.No DMX signal -----7.Line dimmer -----8.Factory set
	-----MANL	-----Reference "MANUAL" list
	-----INFO	-----Display Vers -----PCB Vers -----Display temperature -----LED temperature -----Sensor statu -----Systems wrong cords
	-----CN/EN	
	-----SCREEN ROTATION	

### 4. DISPLAY BOARD

press "up down up down" to enter the HOME menu



**FUNC:** Menu

**UP:** Press UP button to select dmx address

**DOWN:** Press DOWN button to select dmx address

**ENTER:** Press ENTER to engage

## 5. SETTINGS

OPTIONS	DESCRIPTION	
Run mode	DMX	Slave: receive DMX signal from DMX/master
	Auto	Master: auto run and send DMX signal to slave
	Sound	Master: auto run and send DMX signal to slave
	Manual	Master: auto run and send DMX signal to slave
Auto set	Auto mode	0~86 auto mode
	Auto speed	0~99 from slow to fast
	Sound mode	1~4 kinds of modes
	Sound speed	0~99
Channel mode	5/15/61/97CH	DMX profile
Lcd protect	OFF	Screen backlight always on
	ON	Screen backlight delay to turn off
No DMX signal	NO	No DMX signal keep
	YES	No DMX signal clean

## 6. MANUAL OPERATION

Option	Value	Explanation
CH1 Dimmer	0~255	Dimmer Off to full
CH2 Strobe	0~255	Speed slow to fast
CH3 Red LED Intensity	0~255	Red LED Intensity
CH4 Green LED Intensity	0~255	Green LED Intensity
CH5 Blue LED Intensity	0~255	Blue LED Intensity
CH6 White LED Intensity	0~255	White LED Intensity
CH6 Amber LED Intensity	0~255	Amber LED Intensity

## 7. DMX PROTOCOL

8ch (Mode 1) / 16ch (Mode 2) / 22ch (Mode 3):

CHANNEL			VALUE	FUNCTION
8ch	16ch	22ch		
1	1	1	000-255	<b>RED</b> 0%→100%
2	2	2	000-255	<b>GREEN</b> 0%→100%
3	3	3	000-255	<b>BLUE</b> 0%→100%
4	4		000-255	<b>WHITE/ AMBER</b> 0%→100%
				<b>COLOR MACRO</b>
			000-009	Null
			010-017	Color 1
			018-024	Color 2
			025-032	Color 3
			033-039	Color 4
			040-047	Color 5
			048-054	Color 6
			055-061	Color 7
			062-069	Color 8
			070-076	Color 9
			077-084	Color 10
			085-091	Color 11
			092-099	Color 12
			100-106	Color 13
	5	4	107-113	Color 14
			114-121	Color 15
			122-128	Color 16
			129-136	Color 17
			137-143	Color 18
			144-151	Color 19
			152-158	Color 20
			159-165	Color 21
			166-173	Color 22
			174-180	Color 23
			181-188	Color 24
			189-195	Color 25
			196-203	Color 26
			204-210	Color 27
			211-217	Color 28
			218-225	Color 29
			226-232	Color 30

			233-240 241-247 248-255	Color 31 Color 32 Color 33
<b>5</b>	<b>6</b>		000-005 006-255	<b>DIMMER</b> Null 0%→100%
<b>6</b>	<b>7</b>		000-255	<b>DIMMER FINE</b>
	<b>8</b>		000-255	<b>STROBE DURATION</b>
	<b>9</b>		000-006 007-255	<b>STROBE RATE</b> Blackout Strobe from Slow to Fast
	<b>10</b>		000-005 006-050 051-100 101-150 151-200 201-255	<b>STROBE</b> Null Ramp up Ramp down Ramp up-down Lightning Random
		<b>5</b>	000-005 006-255	<b>DIMMER (RGB)</b> Null 0%→100%
		<b>6</b>	000-255	<b>DIMMER FINE (RGB)</b>
		<b>7</b>	000-255	<b>STROBE DURATION (RGB)</b>
		<b>8</b>	000-006 007-255	<b>STROBE RATE (RGB)</b> Blackout Strobe from Slow to Fast
		<b>9</b>	000-005 006-050 051-100 101-150 151-200 201-255	<b>STROBE (RGB)</b> Null Ramp up Ramp down Ramp up-down Lightning Random
	<b>11</b>	<b>10</b>	000-023 024-031 032-039 040-047 048-055 056-063 064-071 072-079 080-087 088-095	<b>MACRO (RGB)</b> Null Macro 1 Macro 2 Macro 3 Macro 4 Macro 5 Macro 6 Macro 7 Macro 8 Macro 9

			096-103 104-111 112-119 120-127 128-135 136-143 144-151 152-159 160-167 168-175 176-183 184-191 192-199 200-207 208-215 216-223 224-231 232-239 240-247 248-255	Macro 10 Macro 11 Macro 12 Macro 13 Macro 14 Macro 15 Macro 16 Macro 17 Macro 18 Macro 19 Macro 20 Macro 21 Macro 22 Macro 23 Macro 24 Macro 25 Macro 26 Macro 27 Macro 28 Macro 29
		<b>11</b>	000-127 128-255	<b>MACRO SPEED (RGB)</b> Normal, Slow to Fast Inversion, Slow to Fast
		<b>12</b>	000-255	<b>FADE (RGB)</b> 0%→100%
		<b>13</b>	000-005 006-255	<b>DIMMER (WA)</b> Null 0%→100%
		<b>14</b>	000-255	<b>DIMMER FINE (WA)</b>
		<b>15</b>	000-255	<b>STROBE DURATION (WA)</b>
		<b>16</b>	000-006 007-255	<b>STROBE RATE (WA)</b> Blackout Strobe from Slow to Fast
		<b>17</b>	000-005 006-050 051-100 101-150 151-200 201-255	<b>STROBE (WA)</b> Null Ramp up Ramp down Ramp up-down Lightning Random
	<b>12</b>	<b>18</b>	000-090 091-105 106-120 121-135 136-150	<b>MACRO (WA)</b> Null Macro 1 Macro 2 Macro 3 Macro 4

			151-165 166-180 181-195 196-210 211-225 226-240 241-255	Macro 5 Macro 6 Macro 7 Macro 8 Macro 9 Macro 10 Macro 11
		<b>19</b>	000-127 128-255	<b>MACRO SPEED (WA)</b> Normal, Slow to Fast Inversion, Slow to Fast
		<b>20</b>	000-255	<b>FADE (WA)</b> 0%→100%
	<b>13</b>		000-127 128-255	<b>MACRO SPEED</b> Normal, Slow to Fast Inversion, Slow to Fast
	<b>14</b>		000-255	<b>FADE</b> 0%→100%
<b>7</b>	<b>15</b>	<b>21</b>	000-255	<b>FROST</b> 0%→100%
<b>8</b>	<b>16</b>	<b>22</b>	000-85 86-170 171-255	<b>WHITE/AMBER SWITCH</b> WHITE AMBER WHITE/AMBER

40ch (Mode 4) / 113ch (Mode 5) / 18ch (Mode 6) / 34ch (Mode 7) / 66ch (Mode 8) / 118ch (Mode 10):

CHANNEL						VALUE	FUNCTION
40ch	113ch	18ch	34ch	66ch	118ch		
1	1	1	1	1	6	000-255	<b>RED 1</b> 0%→100%
2	2	2	2	2	7	000-255	<b>GREEN 1</b> 0%→100%
3	3	3	3	3	8	000-255	<b>BLUE 1</b> 0%→100%
4	4	4	4	4	9	000-255	<b>RED 2</b> 0%→100%
5	5	5	5	5	10	000-255	<b>GREEN 2</b> 0%→100%
6	6	6	6	6	11	000-255	<b>BLUE 2</b> 0%→100%
7	7	7	7	7	12	000-255	<b>RED 3</b> 0%→100%
8	8	8	8	8	13	000-255	<b>GREEN 3</b> 0%→100%
9	9	9	9	9	14	000-255	<b>BLUE 3</b> 0%→100%
10	10	10	10	10	15	000-255	<b>RED 4</b> 0%→100%
11	11	11	11	11	16	000-255	<b>GREEN 4</b> 0%→100%
12	12	12	12	12	17	000-255	<b>BLUE 4</b> 0%→100%
13	13		13	13	18	000-255	<b>RED 5</b> 0%→100%
14	14		14	14	19	000-255	<b>GREEN 5</b> 0%→100%
15	15		15	15	20	000-255	<b>BLUE 5</b> 0%→100%
16	16		16	16	21	000-255	<b>RED 6</b> 0%→100%
17	17		17	17	22	000-255	<b>GREEN 6</b> 0%→100%
18	18		18	18	23	000-255	<b>BLUE 6</b> 0%→100%
19	19		19	19	24	000-255	<b>RED 7</b> 0%→100%

20	20		20	20	25	000-255	<b>GREEN 7</b> 0%→100%
21	21		21	21	26	000-255	<b>BLUE 7</b> 0%→100%
22	22		22	22	27	000-255	<b>RED 8</b> 0%→100%
23	23		23	23	28	000-255	<b>GREEN 8</b> 0%→100%
24	24		24	24	29	000-255	<b>BLUE 8</b> 0%→100%
	25			25	30	000-255	<b>RED 9</b> 0%→100%
	26			26	31	000-255	<b>GREEN 9</b> 0%→100%
	27			27	32	000-255	<b>BLUE 9</b> 0%→100%
	28			28	33	000-255	<b>RED 10</b> 0%→100%
	29			29	34	000-255	<b>GREEN 10</b> 0%→100%
	30			30	35	000-255	<b>BLUE 10</b> 0%→100%
	31			31	36	000-255	<b>RED 11</b> 0%→100%
	32			32	37	000-255	<b>GREEN 11</b> 0%→100%
	33			33	38	000-255	<b>BLUE 11</b> 0%→100%
	34			34	39	000-255	<b>RED 12</b> 0%→100%
	35			35	40	000-255	<b>GREEN 12</b> 0%→100%
	36			36	41	000-255	<b>BLUE 12</b> 0%→100%
	37			37	42	000-255	<b>RED 13</b> 0%→100%
	38			38	43	000-255	<b>GREEN 13</b> 0%→100%
	39			39	44	000-255	<b>BLUE 13</b> 0%→100%
	40			40	45	000-255	<b>RED 14</b> 0%→100%
	41			41	46	000-255	<b>GREEN 14</b> 0%→100%

	42			42	47	000-255	<b>BLUE 14</b> 0%→100%
	43			43	48	000-255	<b>RED 15</b> 0%→100%
	44			44	49	000-255	<b>GREEN 15</b> 0%→100%
	45			45	50	000-255	<b>BLUE 15</b> 0%→100%
	46			46	51	000-255	<b>RED 16</b> 0%→100%
	47			47	52	000-255	<b>GREEN 16</b> 0%→100%
	48			48	53	000-255	<b>BLUE 16</b> 0%→100%
	49				54	000-255	<b>RED 17</b> 0%→100%
	50				55	000-255	<b>GREEN 17</b> 0%→100%
	51				56	000-255	<b>BLUE 17</b> 0%→100%
	52				57	000-255	<b>RED 18</b> 0%→100%
	53				58	000-255	<b>GREEN 18</b> 0%→100%
	54				59	000-255	<b>BLUE 18</b> 0%→100%
	55				60	000-255	<b>RED 19</b> 0%→100%
	56				61	000-255	<b>GREEN 19</b> 0%→100%
	57				62	000-255	<b>BLUE 19</b> 0%→100%
	58				63	000-255	<b>RED 20</b> 0%→100%
	59				64	000-255	<b>GREEN 20</b> 0%→100%
	60				65	000-255	<b>BLUE 20</b> 0%→100%
	61				66	000-255	<b>RED 21</b> 0%→100%
	62				67	000-255	<b>GREEN 21</b> 0%→100%
	63				68	000-255	<b>BLUE 21</b> 0%→100%

	<b>64</b>				<b>69</b>	000-255	<b>RED 22</b> 0%→100%
	<b>65</b>				<b>70</b>	000-255	<b>GREEN 22</b> 0%→100%
	<b>66</b>				<b>71</b>	000-255	<b>BLUE 22</b> 0%→100%
	<b>67</b>				<b>72</b>	000-255	<b>RED 23</b> 0%→100%
	<b>68</b>				<b>73</b>	000-255	<b>GREEN 23</b> 0%→100%
	<b>69</b>				<b>74</b>	000-255	<b>BLUE 23</b> 0%→100%
	<b>70</b>				<b>75</b>	000-255	<b>RED 24</b> 0%→100%
	<b>71</b>				<b>76</b>	000-255	<b>GREEN 24</b> 0%→100%
	<b>72</b>				<b>77</b>	000-255	<b>BLUE 24</b> 0%→100%
	<b>73</b>				<b>78</b>	000-255	<b>RED 25</b> 0%→100%
	<b>74</b>				<b>79</b>	000-255	<b>GREEN 25</b> 0%→100%
	<b>75</b>				<b>80</b>	000-255	<b>BLUE 25</b> 0%→100%
	<b>76</b>				<b>81</b>	000-255	<b>RED 26</b> 0%→100%
	<b>77</b>				<b>82</b>	000-255	<b>GREEN 26</b> 0%→100%
	<b>78</b>				<b>83</b>	000-255	<b>BLUE 26</b> 0%→100%
	<b>79</b>				<b>84</b>	000-255	<b>RED 27</b> 0%→100%
	<b>80</b>				<b>85</b>	000-255	<b>GREEN 27</b> 0%→100%
	<b>81</b>				<b>86</b>	000-255	<b>BLUE 27</b> 0%→100%
	<b>82</b>				<b>87</b>	000-255	<b>RED 28</b> 0%→100%
	<b>83</b>				<b>88</b>	000-255	<b>GREEN 28</b> 0%→100%
	<b>84</b>				<b>89</b>	000-255	<b>BLUE 28</b> 0%→100%
	<b>85</b>				<b>90</b>	000-255	<b>RED 29</b> 0%→100%

	86				91	000-255	<b>GREEN 29</b> 0%→100%
	87				92	000-255	<b>BLUE 29</b> 0%→100%
	88				93	000-255	<b>RED 30</b> 0%→100%
	89				94	000-255	<b>GREEN 30</b> 0%→100%
	90				95	000-255	<b>BLUE 30</b> 0%→100%
	91				96	000-255	<b>RED 31</b> 0%→100%
	92				97	000-255	<b>GREEN 31</b> 0%→100%
	93				98	000-255	<b>BLUE 31</b> 0%→100%
	94				99	000-255	<b>RED 32</b> 0%→100%
	95				100	000-255	<b>GREEN 32</b> 0%→100%
	96				101	000-255	<b>BLUE 32</b> 0%→100%
					1	000-005 006-255	<b>DIMMER</b> Null 0%→100%
					2	000-255	<b>STROBE DURATION</b>
					3	000-006 007-255	<b>STROBE RATE</b> Blackout Strobe from Slow to Fast
					4	000-005 006-050 051-100 101-150 151-200 201-255	<b>STROBE</b> Null Ramp up Ramp down Ramp up-down Lightning Random
25						000-005 006-255	<b>DIMMER (RGB)</b> Null 0%→100%
26						000-255	<b>DIMMER FINE (RGB)</b>
27						000-255	<b>STROBE DURATION (RGB)</b>
28						000-006	<b>STROBE RATE (RGB)</b> Blackout

						007-255	Strobe from Slow to Fast
29						000-005 006-050 051-100 101-150 151-200 201-255	<b>STROBE (RGB)</b> Null Ramp up Ramp down Ramp up-down Lightning Random
30	97	13	25	49	102	000-255	<b>WHITE, AMBER1</b> 0%→100%
31	98	14	26	50	103	000-255	<b>WHITE, AMBER 2</b> 0%→100%
32	99	15	27	51	104	000-255	<b>WHITE, AMBER 3</b> 0%→100%
33	100	16	28	52	105	000-255	<b>WHITE, AMBER 4</b> 0%→100%
	101		29	53	106	000-255	<b>WHITE, AMBER 5</b> 0%→100%
	102		30	54	107	000-255	<b>WHITE, AMBER 6</b> 0%→100%
	103		31	55	108	000-255	<b>WHITE, AMBER 7</b> 0%→100%
	104		32	56	109	000-255	<b>WHITE, AMBER 8</b> 0%→100%
	105			57	110	000-255	<b>WHITE, AMBER 9</b> 0%→100%
	106			58	111	000-255	<b>WHITE, AMBER 10</b> 0%→100%
	107			59	112	000-255	<b>WHITE, AMBER 11</b> 0%→100%
	108			60	113	000-255	<b>WHITE, AMBER 12</b> 0%→100%
	109			61	114	000-255	<b>WHITE, AMBER 13</b> 0%→100%
	110			62	115	000-255	<b>WHITE , AMBER14</b> 0%→100%
	111			63	116	000-255	<b>WHITE, AMBER 15</b> 0%→100%
	112			64	117	000-255	<b>WHITE, AMBER 16</b> 0%→100%
34						000-005 006-255	<b>DIMMER (W)</b> Null 0%→100%
35						000-255	<b>DIMMER FINE (W)</b>

36						000-255	<b>STROBE DURATION (W)</b>
37						000-006 007-255	<b>STROBE RATE (W)</b> Blackout Strobe from Slow to Fast
38						000-005 006-050 051-100 101-150 151-200 201-255	<b>STROBE (W)</b> Null Ramp up Ramp down Ramp up-down Lightning Random
39		17	33	65	5	000-255	<b>FROST</b> 0%→100%
40	113	18	34	66	118	000-085 086-170 171-255	<b>WHITE/AMBER SWITCH</b> WHITE AMBER WHITE/AMBER

**69ch (Mode 9) / 71ch (Mode 11):**

CHANNEL		VALUE	FUNCTION
69ch	71ch		
1	1	000-005 006-255	<b>DIMMER</b> Null 0%→100%
2	2	000-007 008-127 128-130  131-250 251-255	<b>STROBE (RGB)</b> Null Strobe from Slow to Fast Null  Random Null
3	3	000-007 008-127 128-130  131-250 251-255	<b>STROBE (W)</b> Null Strobe from Slow to Fast Null  Random Null
4	4	000-255	<b>FROST</b> 0%→100%
5	5	000-255	<b>RED 1</b> 0%→100%
6	6	000-255	<b>GREEN 1</b> 0%→100%
7	7	000-255	<b>BLUE 1</b> 0%→100%
8	8	000-255	<b>RED 2</b> 0%→100%

<b>9</b>	<b>9</b>	000-255	<b>GREEN 2</b> 0%→100%
<b>10</b>	<b>10</b>	000-255	<b>BLUE 2</b> 0%→100%
<b>11</b>	<b>11</b>	000-255	<b>RED 3</b> 0%→100%
<b>12</b>	<b>12</b>	000-255	<b>GREEN 3</b> 0%→100%
<b>13</b>	<b>13</b>	000-255	<b>BLUE 3</b> 0%→100%
<b>14</b>	<b>14</b>	000-255	<b>RED 4</b> 0%→100%
<b>15</b>	<b>15</b>	000-255	<b>GREEN 4</b> 0%→100%
<b>16</b>	<b>16</b>	000-255	<b>BLUE 4</b> 0%→100%
<b>17</b>	<b>17</b>	000-255	<b>RED 5</b> 0%→100%
<b>18</b>	<b>18</b>	000-255	<b>GREEN 5</b> 0%→100%
<b>19</b>	<b>19</b>	000-255	<b>BLUE 5</b> 0%→100%
<b>20</b>	<b>20</b>	000-255	<b>RED 6</b> 0%→100%
<b>21</b>	<b>21</b>	000-255	<b>GREEN 6</b> 0%→100%
<b>22</b>	<b>22</b>	000-255	<b>BLUE 6</b> 0%→100%
<b>23</b>	<b>23</b>	000-255	<b>RED 7</b> 0%→100%
<b>24</b>	<b>24</b>	000-255	<b>GREEN 7</b> 0%→100%
<b>25</b>	<b>25</b>	000-255	<b>BLUE 7</b> 0%→100%
<b>26</b>	<b>26</b>	000-255	<b>RED 8</b> 0%→100%
<b>27</b>	<b>27</b>	000-255	<b>GREEN 8</b> 0%→100%
<b>28</b>	<b>28</b>	000-255	<b>BLUE 8</b> 0%→100%
<b>29</b>	<b>29</b>	000-255	<b>RED 9</b> 0%→100%
<b>30</b>	<b>30</b>	000-255	<b>GREEN 9</b> 0%→100%

31	31	000-255	<b>BLUE 9</b> 0%→100%
32	32	000-255	<b>RED 10</b> 0%→100%
33	33	000-255	<b>GREEN 10</b> 0%→100%
34	34	000-255	<b>BLUE 10</b> 0%→100%
35	35	000-255	<b>RED 11</b> 0%→100%
36	36	000-255	<b>GREEN 11</b> 0%→100%
37	37	000-255	<b>BLUE 11</b> 0%→100%
38	38	000-255	<b>RED 12</b> 0%→100%
39	39	000-255	<b>GREEN 12</b> 0%→100%
40	40	000-255	<b>BLUE 12</b> 0%→100%
41	41	000-255	<b>RED 13</b> 0%→100%
42	42	000-255	<b>GREEN 13</b> 0%→100%
43	43	000-255	<b>BLUE 13</b> 0%→100%
44	44	000-255	<b>RED 14</b> 0%→100%
45	45	000-255	<b>GREEN 14</b> 0%→100%
46	46	000-255	<b>BLUE 14</b> 0%→100%
47	47	000-255	<b>RED 15</b> 0%→100%
48	48	000-255	<b>GREEN 15</b> 0%→100%
49	49	000-255	<b>BLUE 15</b> 0%→100%
50	50	000-255	<b>RED 16</b> 0%→100%
51	51	000-255	<b>GREEN 16</b> 0%→100%
52	52	000-255	<b>BLUE 16</b> 0%→100%

53	53	000-255	<b>WHITE 1</b> 0%→100%
54	54	000-255	<b>WHITE 2</b> 0%→100%
55	55	000-255	<b>WHITE 3</b> 0%→100%
56	56	000-255	<b>WHITE 4</b> 0%→100%
57	57	000-255	<b>WHITE 5</b> 0%→100%
58	58	000-255	<b>WHITE 6</b> 0%→100%
59	59	000-255	<b>WHITE 7</b> 0%→100%
60	60	000-255	<b>WHITE 8</b> 0%→100%
61	61	000-255	<b>WHITE 9</b> 0%→100%
62	62	000-255	<b>WHITE 10</b> 0%→100%
63	63	000-255	<b>WHITE 11</b> 0%→100%
64	64	000-255	<b>WHITE 12</b> 0%→100%
65	65	000-255	<b>WHITE 13</b> 0%→100%
66	66	000-255	<b>WHITE 14</b> 0%→100%
67	67	000-255	<b>WHITE 15</b> 0%→100%
68	68	000-255	<b>WHITE 16</b> 0%→100%
	69	000-255	<b>FADE (RGB)</b> 0%→100%
	70	000-255	<b>FADE (W)</b> 0%→100%
69	71	000-085 086-170 171-255	<b>WHITE/AMBER SWITCH</b> WHITE AMBER WHITE/AMBER

## **8. CLEANING AND MAINTENANCE**

**Installation Maintenance:** The operator has to make sure that the unit is operating safely and has the installations and electronics checked by an expert every 2 years.

The following points have to be considered during the inspection:

All screws used for installing the device or part of the device have to be tightly connected and must not be corroded.

There must not be any deformations on the housing, fixation and installation spots (ceiling, suspension, trussing).

The electronic power supply cables must not show any damages, material fatigue (e.g. porous cables) or sediments. Further instructions depending on the installation spot and usage have to be adhered by a skilled installer and any safety problems have to be removed.

**Note:** There is no serviceable parts inside the device. Maintenance and service operations are to be carried out by au-thorized dealers.

**Replacing the fuse:** When possible only replace the fuse with the same type and rating.

**Replacing the power cable:** If the power cable of this device becomes damaged, it has to be replaced by authorized dealers or trained professional only.

**Cleaning:** Only clean the fixture using a damp cloth.

**Should you have further questions , please contact your dealer.**



# Contact Us

---



SALES@ILLUSIONUNIVERSE.CA



UNIT 11, 10 FALCONER DRIVE,  
MISSISSAUGA , ONTARIO, CANADA



WWW.ILLUSIONUNIVERSE.CA